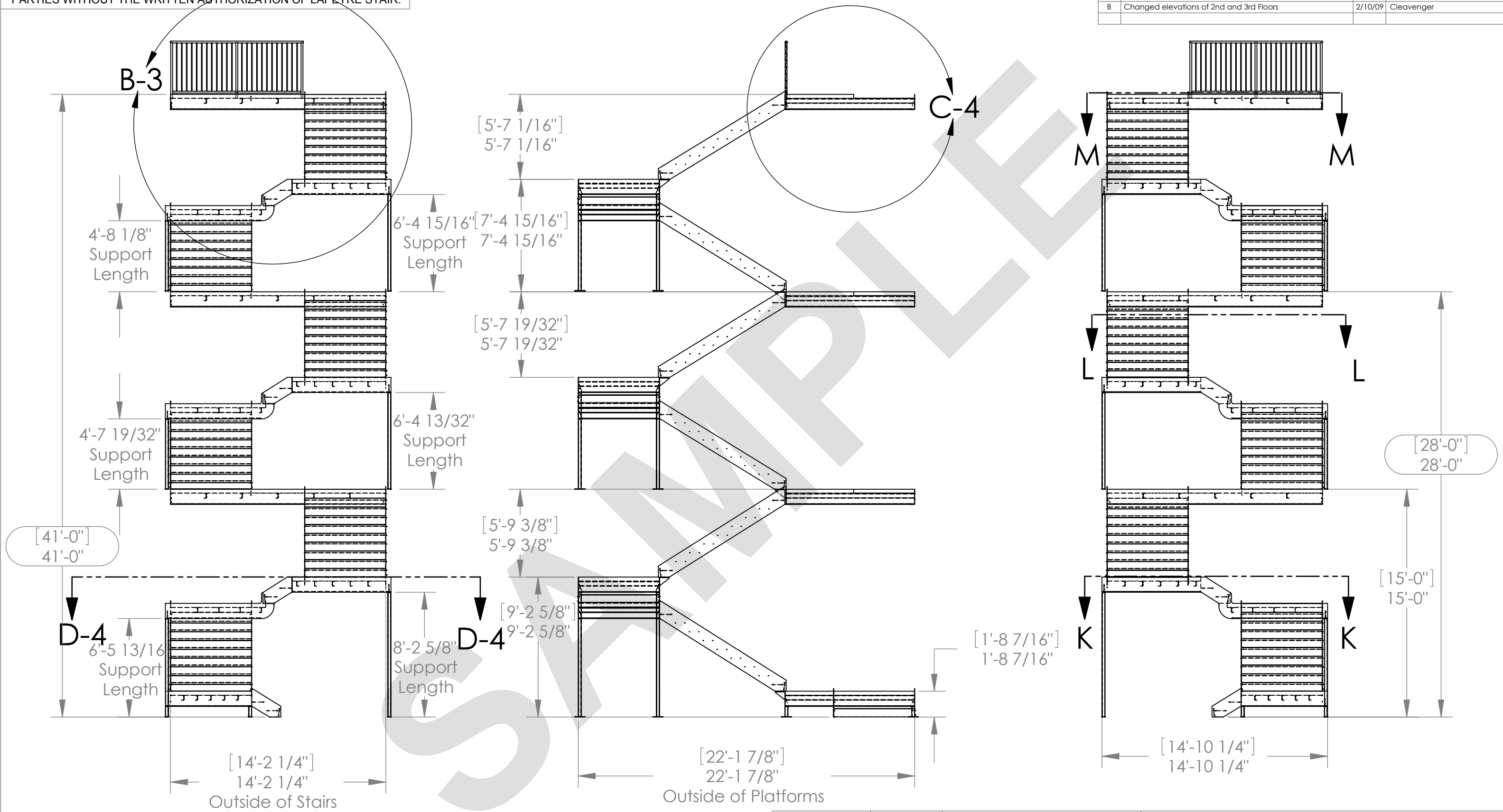


THIS DRAWING IS CONFIDENTIAL AND PROPRIETARY INFORMATION OF LAPEYRE STAIR, INC. IT MAY NOT BE COPIED OR DISCLOSED TO THIRD PARTIES WITHOUT THE WRITTEN AUTHORIZATION OF LAPEYRE STAIR.

REVISIONS			
REV.	DESCRIPTION	DATE	DRAWN
A	Up-dated Based on Field Measurements	1/26/09	Cleavenger / Burnetter
B	Changed elevations of 2nd and 3rd Floors	2/10/09	Cleavenger



UNLESS OTHERWISE SPECIFIED DIMENSIONS ARE IN INCHES TOLERANCES ARE:
 FRACTIONS: ± 1/8 DECIMALS: .XX ± .016 ANGLES: ± 1°
 .XXX ± .005

DRAWN: J Cleavenger	DATE: 12/2/08	DESCRIPTION:
CHECK: *	DATE: 0/00/00	

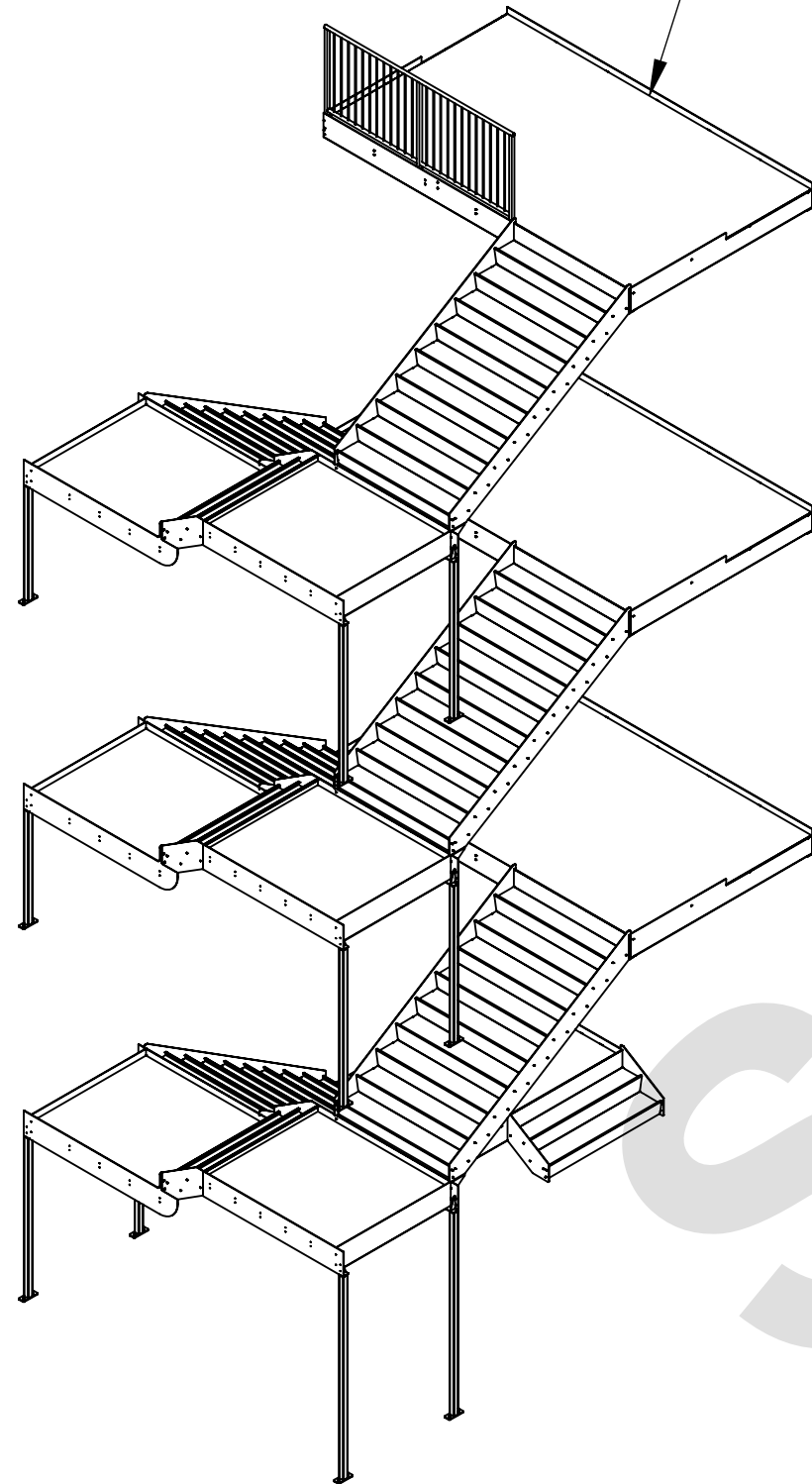
Lapeyre Stair, Inc.
 A SUBSIDIARY OF THE LAITRAM CORP.
 5117 Toler Street
 Harahan, LA 70123
 (800) 535-7631
 Fax: (504) 733-4393

SCALE: None	SHEET: 1 of 8	DO NOT SCALE THIS DRAWING	REV. B
-------------	---------------	----------------------------------	-----------

THIS DRAWING IS CONFIDENTIAL AND PROPRIETARY INFORMATION OF LAPEYRE STAIR, INC. IT MAY NOT BE COPIED OR DISCLOSED TO THIRD PARTIES WITHOUT THE WRITTEN AUTHORIZATION OF LAPEYRE STAIR.

REVISIONS			
REV.	DESCRIPTION	DATE	DRAWN
A	Up-dated Based on Field Measurements	1/26/09	Cleavenger / Burnetter
B	Changed elevations of 2nd and 3rd Floors	2/10/09	Cleavenger

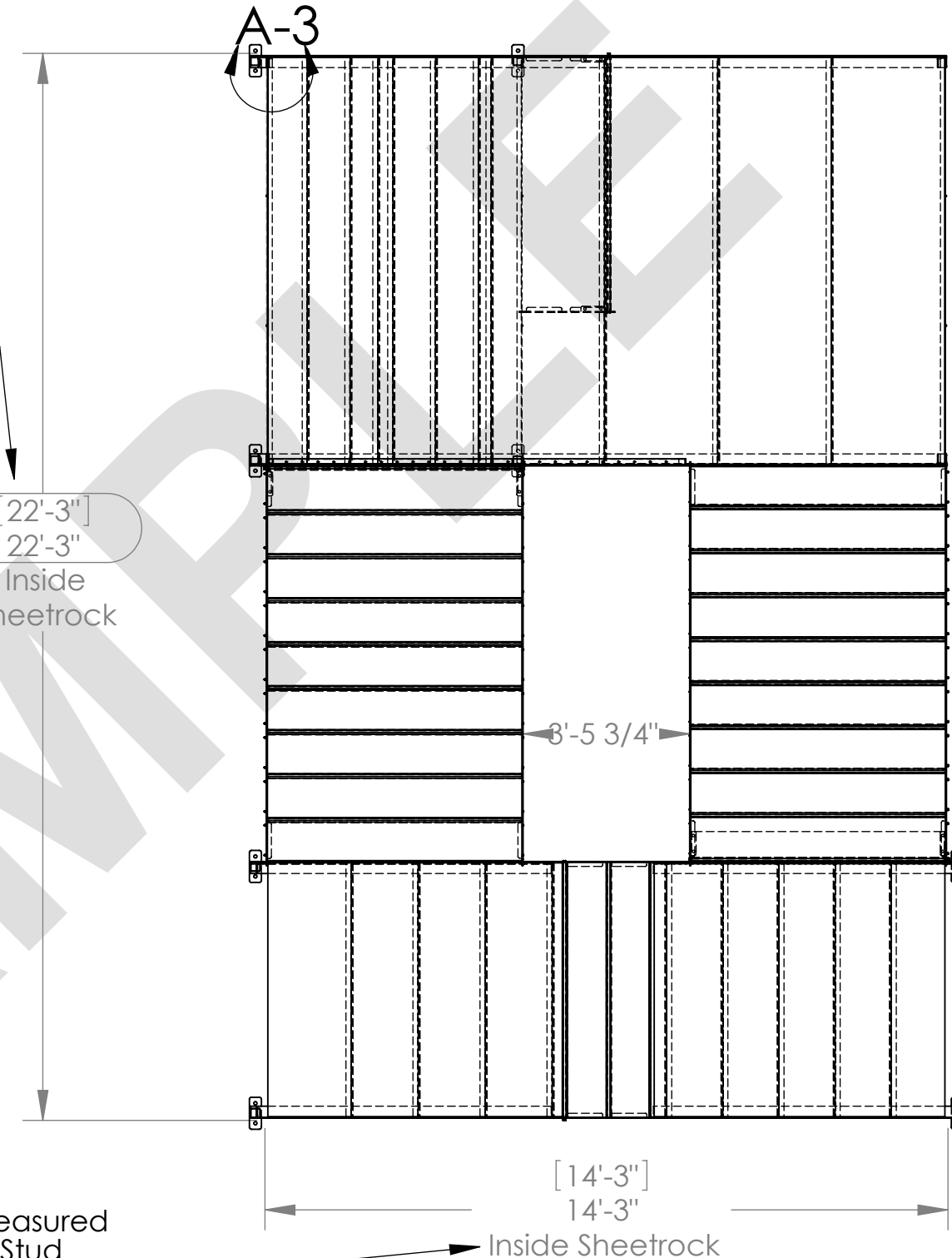
Structure is the outline of one layer of 5/8" sheetrock.



Field Measured Stud to Stud
267-3/8 (-5/8 *2)

[22'-3"]
22'-3"
Inside Sheetrock

Field Measured Stud to Stud
172-1/4 (-5/8 *2)



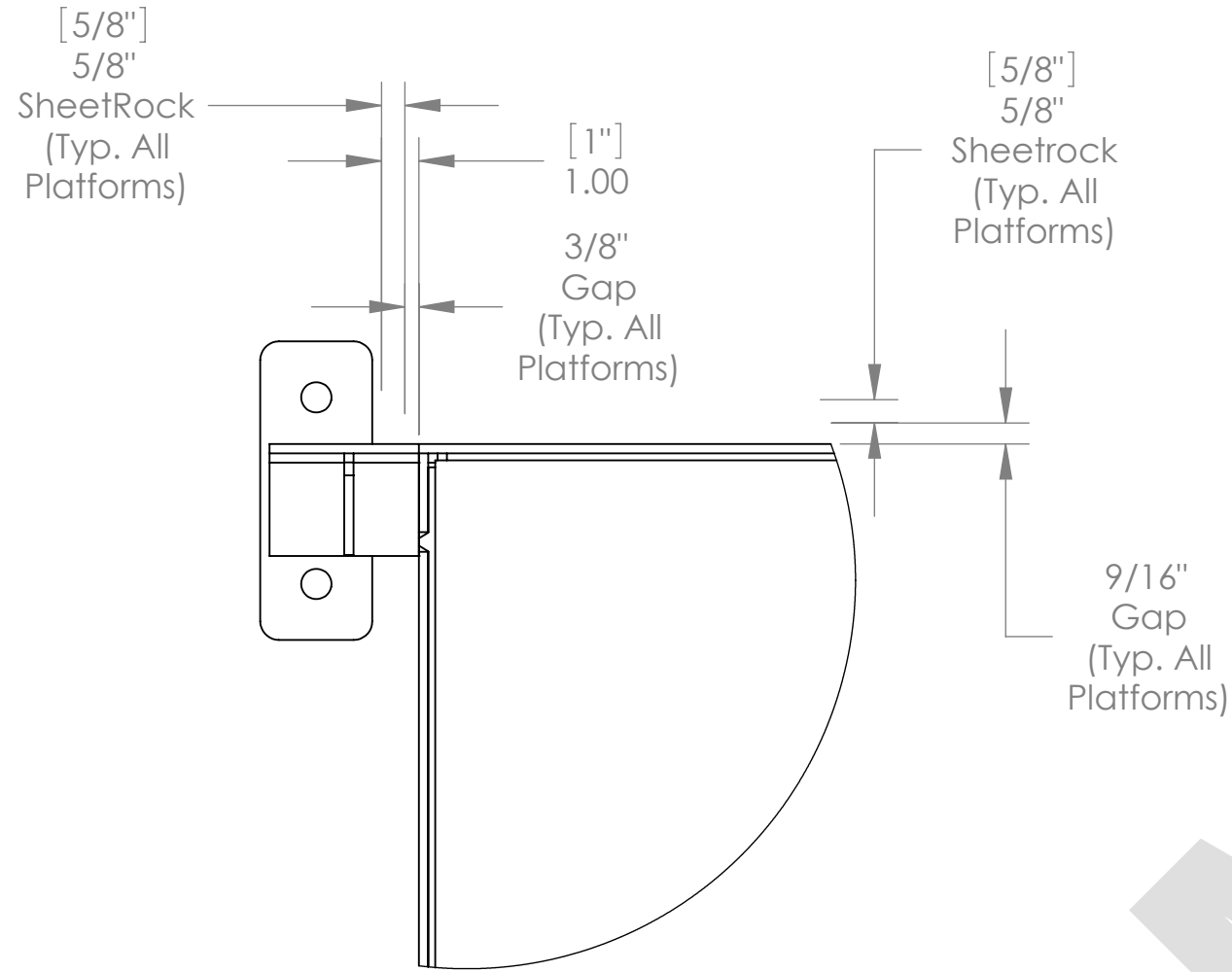
UNLESS OTHERWISE SPECIFIED DIMENSIONS ARE IN INCHES TOLERANCES ARE:

FRACTIONS: ± 1/8 DECIMALS: .XX ± .016 ANGLES: ± 1°
.XXX ± .005

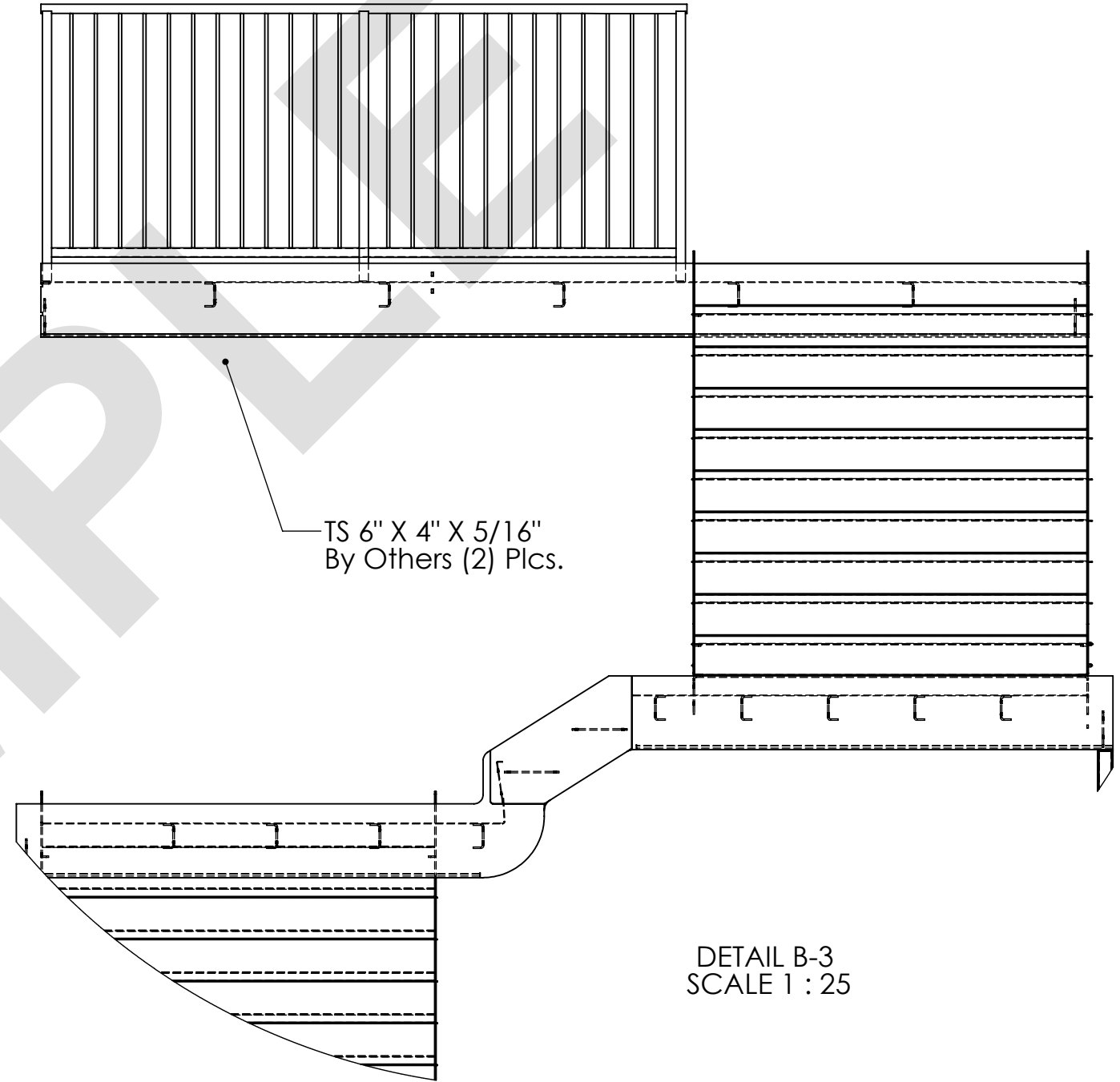
DRAWN: J Cleavenger	DATE: 12/2/08	DESCRIPTION:	Lapeyre Stair, Inc. A SUBSIDIARY OF THE LAITRAM CORP.	5117 Toler Street Harahan, LA 70123 (800) 535-7631 Fax: (504) 733-4393
CHECK: *	DATE: 0/00/00			

THIS DRAWING IS CONFIDENTIAL AND PROPRIETARY INFORMATION OF LAPEYRE STAIR, INC. IT MAY NOT BE COPIED OR DISCLOSED TO THIRD PARTIES WITHOUT THE WRITTEN AUTHORIZATION OF LAPEYRE STAIR.

REVISIONS			
REV.	DESCRIPTION	DATE	DRAWN
A	Up-dated Based on Field Measurements	1/26/09	Cleavenger / Burnetter
B	Changed elevations of 2nd and 3rd Floors	2/10/09	Cleavenger



DETAIL A-3
SCALE 1 : 5



SAMPLE

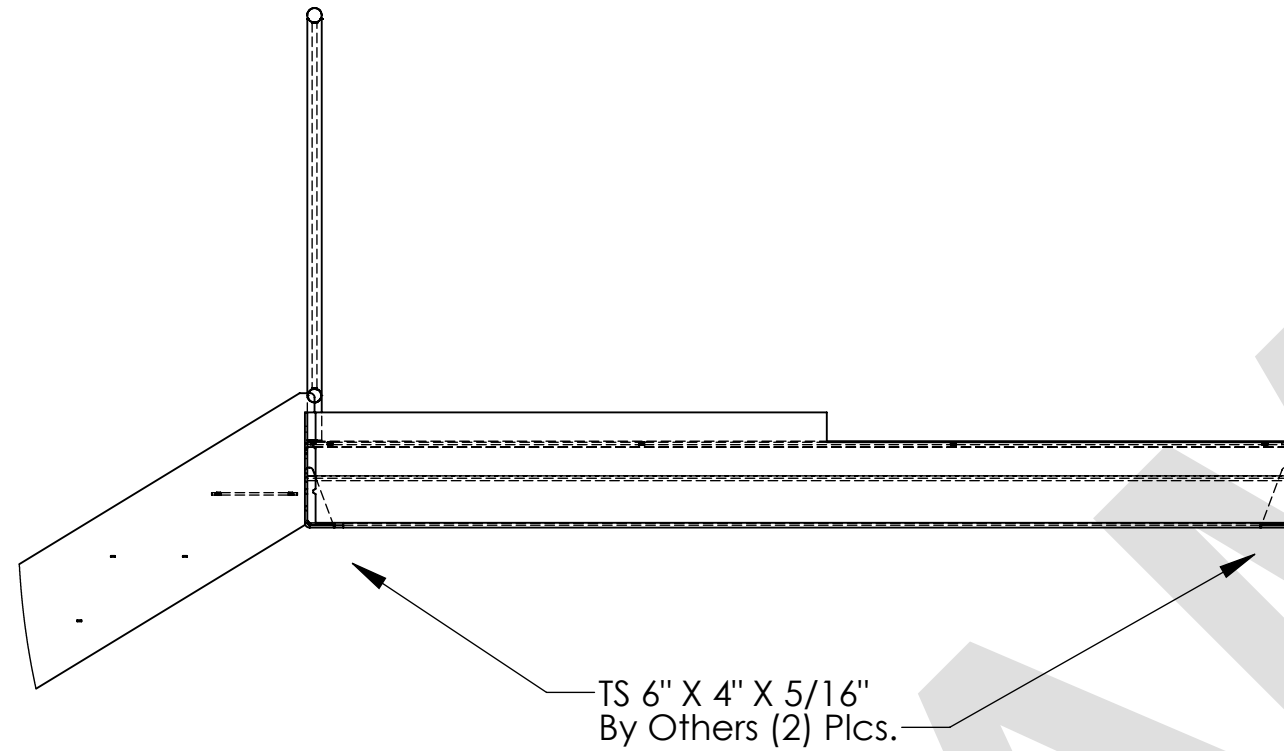
UNLESS OTHERWISE SPECIFIED
DIMENSIONS ARE IN INCHES
TOLERANCES ARE:

FRACTIONS: ± 1/8 DECIMALS: .XX ±.016 ANGLES: ± 1°
.XXX ±.005

DRAWN: J Cleavenger	DATE: 12/2/08	DESCRIPTION:	Lapeyre Stair, Inc. A SUBSIDIARY OF THE LAITRAM CORP.	5117 Toler Street Harahan, LA 70123 (800) 535-7631 Fax: (504) 733-4393
	CHECK: *			
SCALE: None			SHEET: 3 of 8	DO NOT SCALE THIS DRAWING
				REV. B

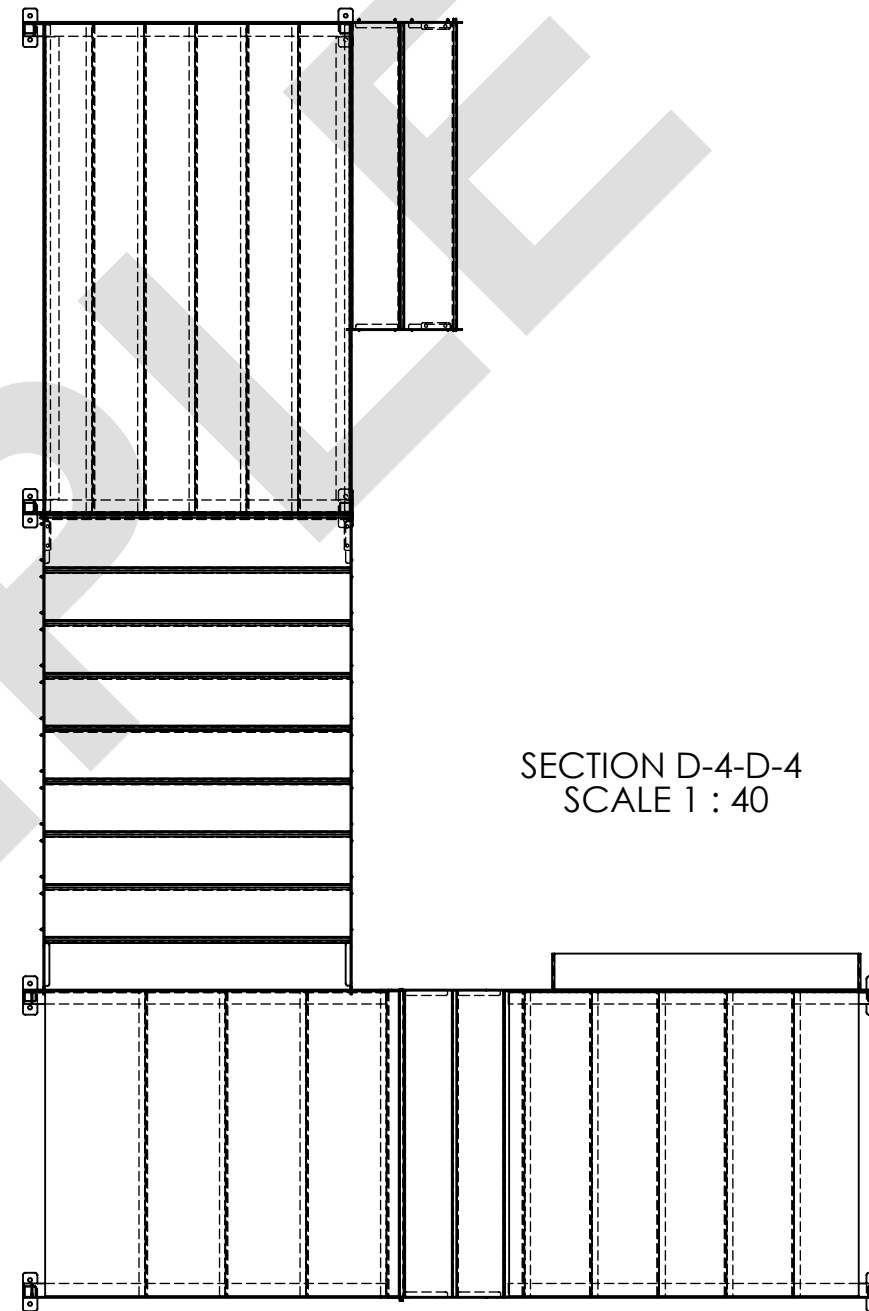
THIS DRAWING IS CONFIDENTIAL AND PROPRIETARY INFORMATION OF LAPEYRE STAIR, INC. IT MAY NOT BE COPIED OR DISCLOSED TO THIRD PARTIES WITHOUT THE WRITTEN AUTHORIZATION OF LAPEYRE STAIR.

REVISIONS			
REV.	DESCRIPTION	DATE	DRAWN
A	Up-dated Based on Field Measurements	1/26/09	Cleavenger / Burnetter
B	Changed elevations of 2nd and 3rd Floors	2/10/09	Cleavenger



TS 6" X 4" X 5/16"
By Others (2) Plcs.

DETAIL C-4
SCALE 1 : 20



SECTION D-4-D-4
SCALE 1 : 40

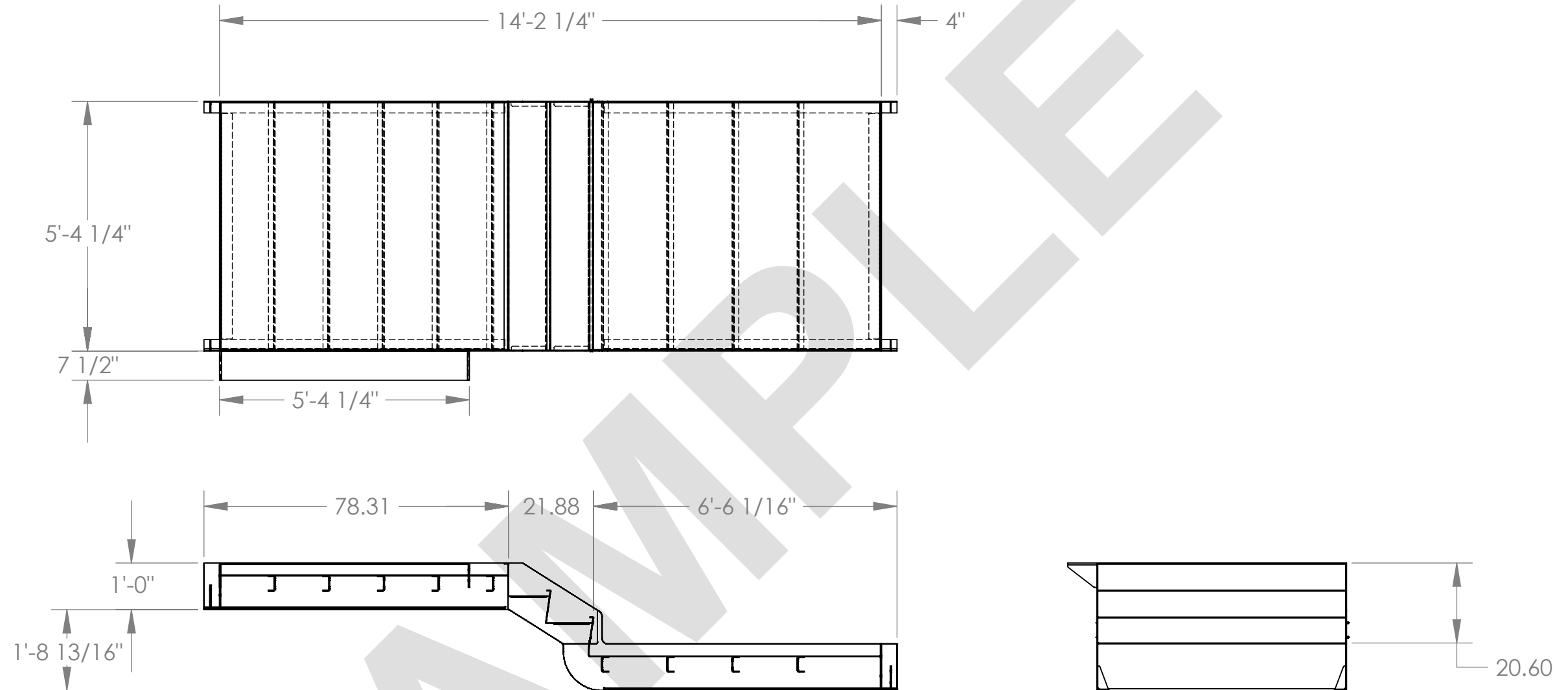
UNLESS OTHERWISE SPECIFIED
DIMENSIONS ARE IN INCHES
TOLERANCES ARE:

FRACTIONS: DECIMALS ANGLES:
± 1/8 .XX ±.016 ± 1°
 .XXX ±.005

DRAWN: J Cleavenger	DATE: 12/2/08	DESCRIPTION:	Lapeyre Stair, Inc. A SUBSIDIARY OF THE LAITRAM CORP. 5117 Toler Street Harahan, LA 70123 (800) 535-7631 Fax: (504) 733-4393
CHECK: *	DATE: 0/00/00		
SCALE: None SHEET: 4 of 8 DO NOT SCALE THIS DRAWING			REV. B

THIS DRAWING IS CONFIDENTIAL AND PROPRIETARY INFORMATION OF LAPEYRE STAIR, INC. IT MAY NOT BE COPIED OR DISCLOSED TO THIRD PARTIES WITHOUT THE WRITTEN AUTHORIZATION OF LAPEYRE STAIR.

REVISIONS			
REV.	DESCRIPTION	DATE	DRAWN
A	Up-dated Based on Field Measurements	1/26/09	Cleavenger / Burnetter
B	Changed elevations of 2nd and 3rd Floors	2/10/09	Cleavenger



Detail of intermediate platform/stair/platform

Prototype unit was built and load tested 1/15/2008 to 18,800lbs

UNLESS OTHERWISE SPECIFIED DIMENSIONS ARE IN INCHES TOLERANCES ARE:

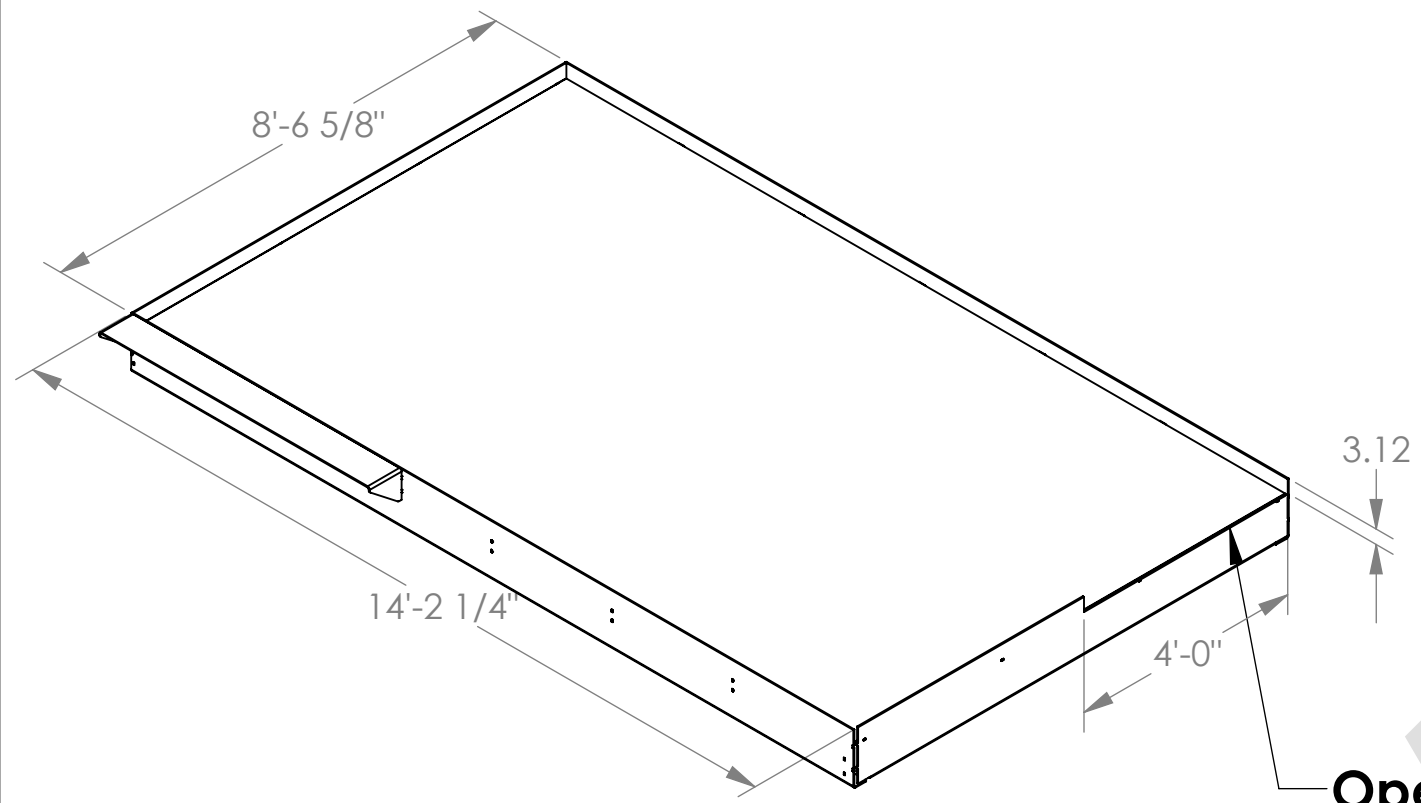
FRACTIONS: ± 1/8 DECIMALS: .XX ± .016 ANGLES: ± 1°
.XXX ± .005

DRAWN: J Cleavenger	DATE: 12/2/08	DESCRIPTION:	Lapeyre Stair, Inc. A SUBSIDIARY OF THE LAITRAM CORP. 5117 Toler Street Harahan, LA 70123 (800) 535-7631 Fax: (504) 733-4393
CHECK: *	DATE: 0/00/00		

			SCALE: None	SHEET: 5 of 8	DO NOT SCALE THIS DRAWING	REV. B
--	--	--	-------------	---------------	----------------------------------	-----------

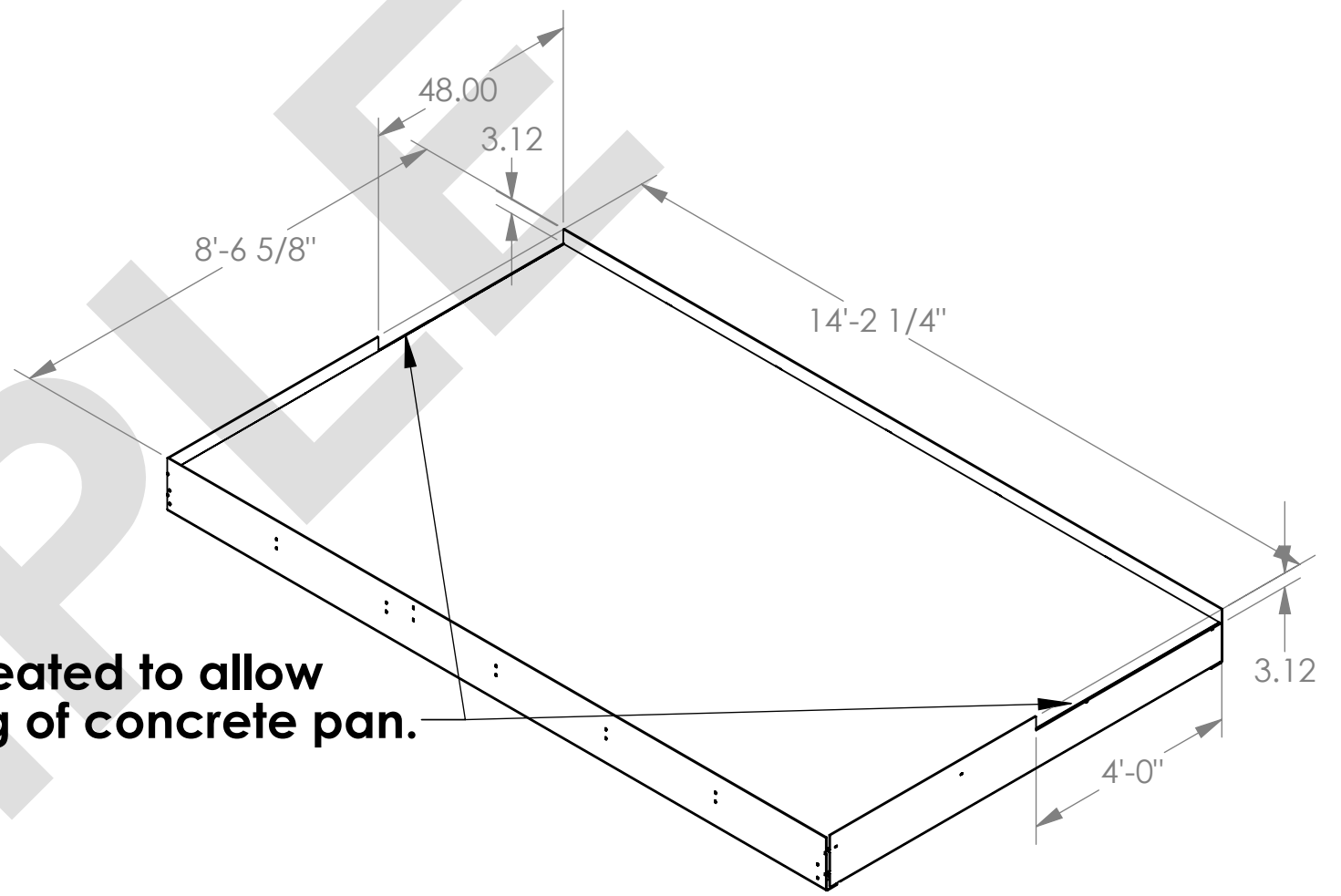
THIS DRAWING IS CONFIDENTIAL AND PROPRIETARY INFORMATION OF LAPEYRE STAIR, INC. IT MAY NOT BE COPIED OR DISCLOSED TO THIRD PARTIES WITHOUT THE WRITTEN AUTHORIZATION OF LAPEYRE STAIR.

REVISIONS			
REV.	DESCRIPTION	DATE	DRAWN
A	Up-dated Based on Field Measurements	1/26/09	Cleavenger / Burnetter
B	Changed elevations of 2nd and 3rd Floors	2/10/09	Cleavenger



1st and 2nd Floor Platforms

Openings created to allow for field fitting of concrete pan.



3rd Floor Platform

SAMPLE

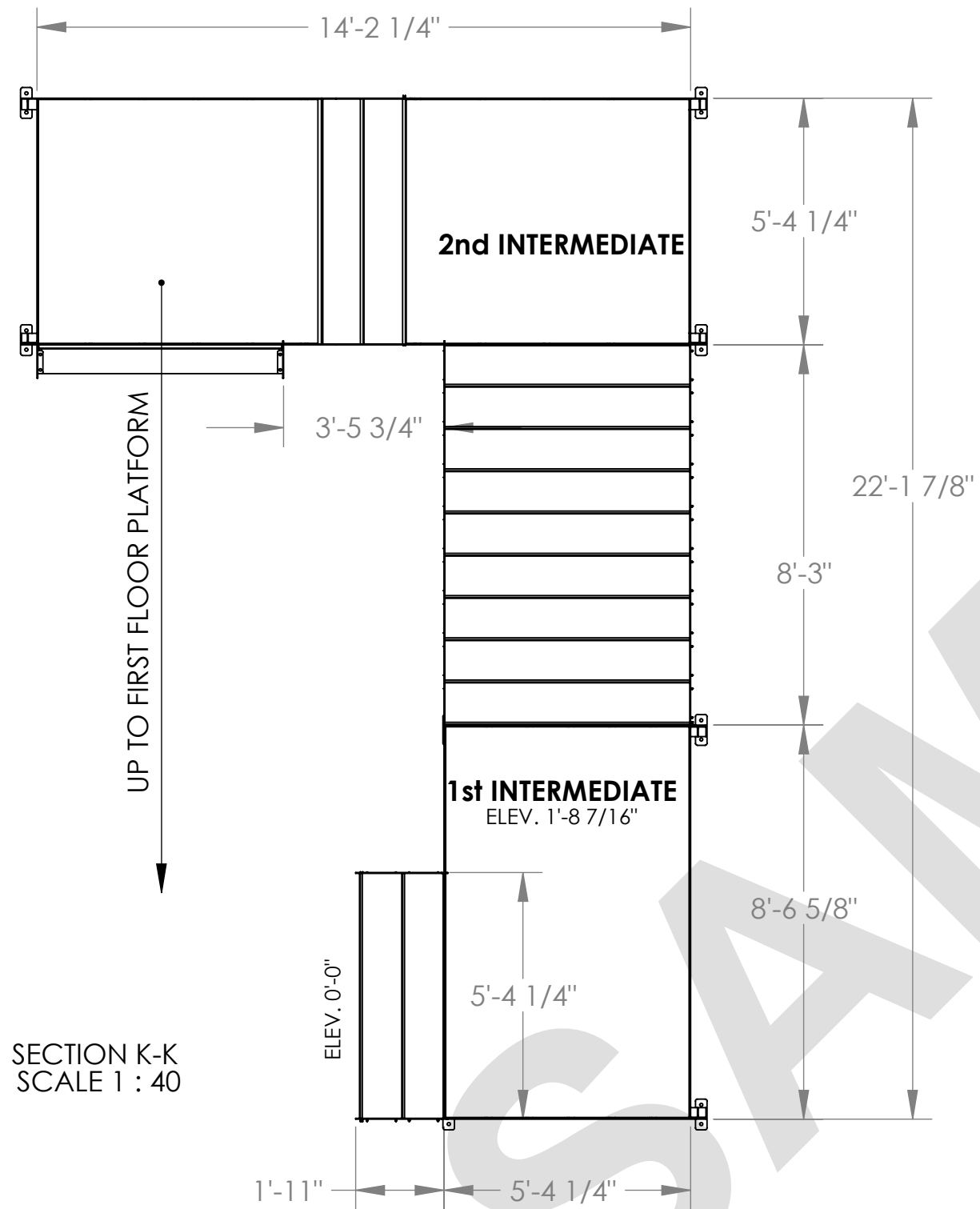
UNLESS OTHERWISE SPECIFIED
DIMENSIONS ARE IN INCHES
TOLERANCES ARE:

FRACTIONS: DECIMALS ANGLES:
± 1/8 .XX ±.016 ± 1°
 .XXX ±.005

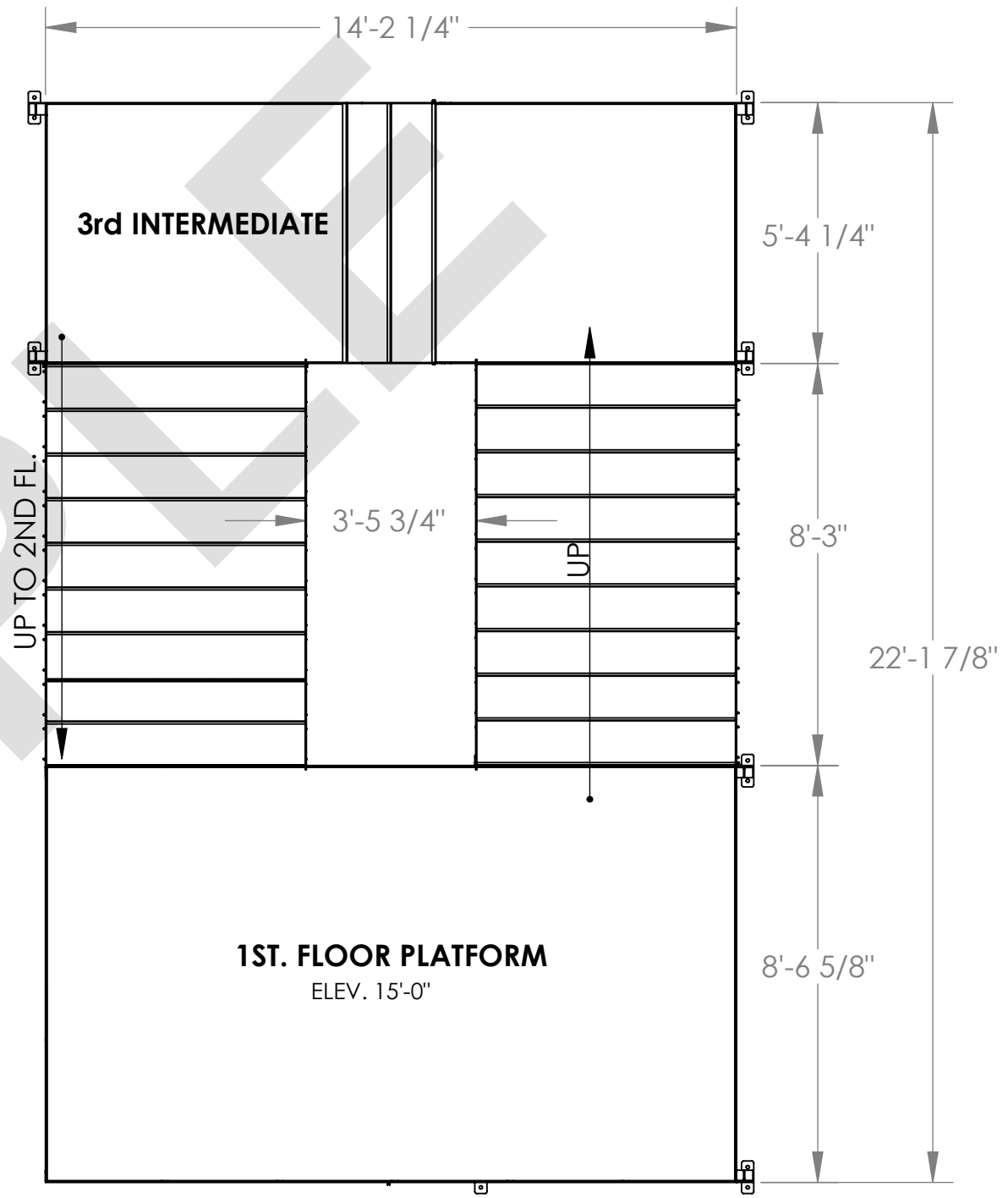
DRAWN: J Cleavenger	DATE: 12/2/08	DESCRIPTION:	Lapeyre Stair, Inc. A SUBSIDIARY OF THE LAITRAM CORP.	5117 Toler Street Harahan, LA 70123 (800) 535-7631 Fax: (504) 733-4393
CHECK: *	DATE: 0/00/00			
			SCALE: None	SHEET: 6 of 8
			DO NOT SCALE THIS DRAWING	
				REV. B

THIS DRAWING IS CONFIDENTIAL AND PROPRIETARY INFORMATION OF LAPEYRE STAIR, INC. IT MAY NOT BE COPIED OR DISCLOSED TO THIRD PARTIES WITHOUT THE WRITTEN AUTHORIZATION OF LAPEYRE STAIR.

REVISIONS			
REV.	DESCRIPTION	DATE	DRAWN
A	Up-dated Based on Field Measurements	1/26/09	Cleavenger / Burnetter
B	Changed elevations of 2nd and 3rd Floors	2/10/09	Cleavenger



SECTION K-K
SCALE 1 : 40



SECTION L-L
SCALE 1 : 40

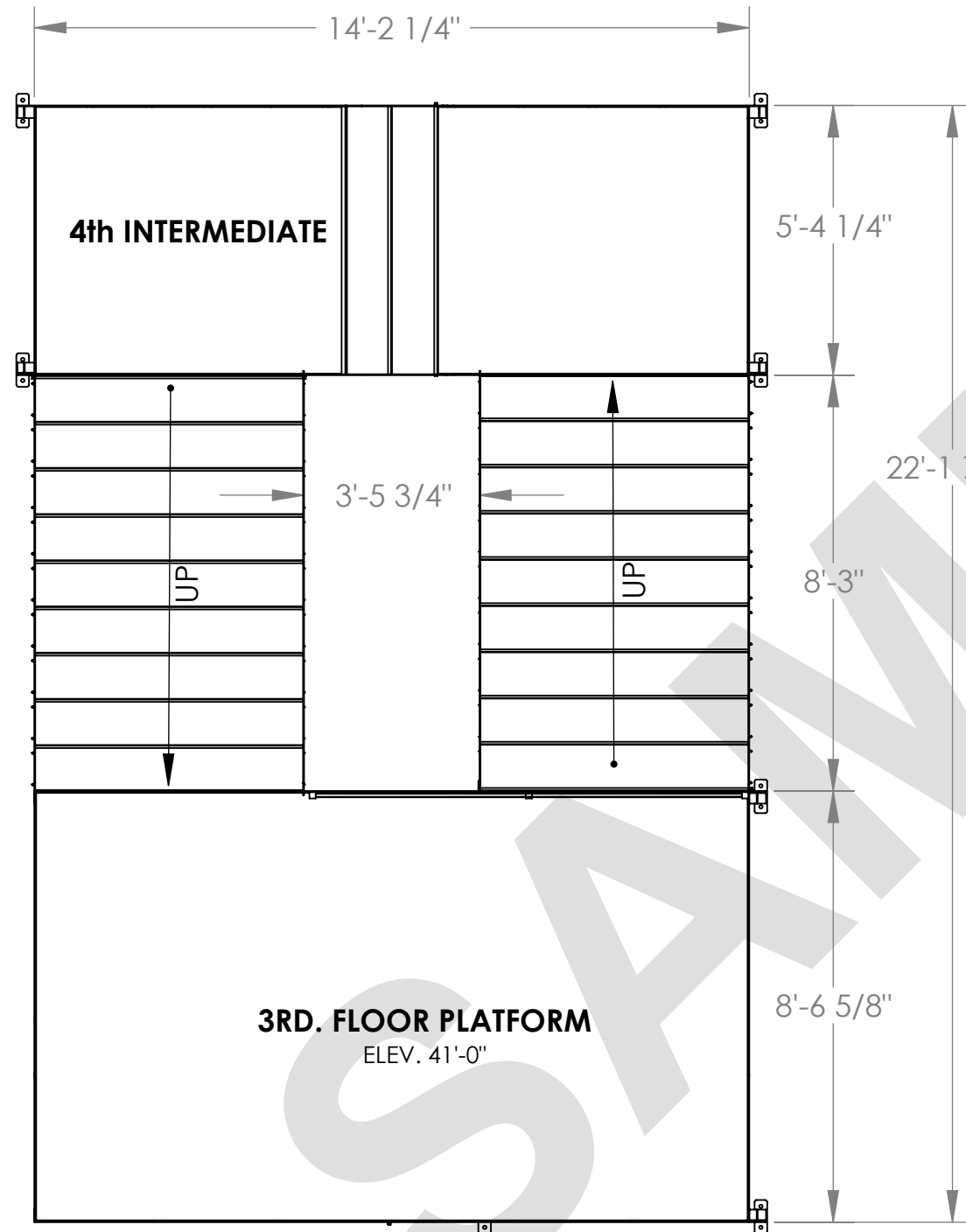
UNLESS OTHERWISE SPECIFIED
DIMENSIONS ARE IN INCHES
TOLERANCES ARE:

FRACTIONS: DECIMALS ANGLES:
± 1/8 .XX ±.016 ± 1°
 .XXX ±.005

DRAWN: J Cleavenger	DATE: 12/2/08	DESCRIPTION:	Lapeyre Stair, Inc. A SUBSIDIARY OF THE LAITRAM CORP.	5117 Toler Street Harahan, LA 70123 (800) 535-7631 Fax: (504) 733-4393
CHECK: *	DATE: 0/00/00			
			SCALE: None	SHEET: 7 of 8
			DO NOT SCALE THIS DRAWING	
				REV. B

THIS DRAWING IS CONFIDENTIAL AND PROPRIETARY INFORMATION OF LAPEYRE STAIR, INC. IT MAY NOT BE COPIED OR DISCLOSED TO THIRD PARTIES WITHOUT THE WRITTEN AUTHORIZATION OF LAPEYRE STAIR.

REVISIONS			
REV.	DESCRIPTION	DATE	DRAWN
A	Up-dated Based on Field Measurements	1/26/09	Cleavenger / Burnetter
B	Changed elevations of 2nd and 3rd Floors	2/10/09	Cleavenger



SECTION M-M
SCALE 1 : 40

UNLESS OTHERWISE SPECIFIED
DIMENSIONS ARE IN INCHES
TOLERANCES ARE:

FRACTIONS: ± 1/8 DECIMALS: .XX ±.016 ANGLES: ± 1°
.XXX ±.005

DRAWN: J Cleavenger	DATE: 12/2/08	DESCRIPTION:	Lapeyre Stair, Inc. A SUBSIDIARY OF THE LAITRAM CORP. 5117 Toler Street Harahan, LA 70123 (800) 535-7631 Fax: (504) 733-4393
CHECK: *	DATE: 0/00/00		