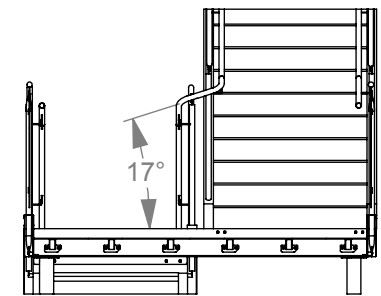
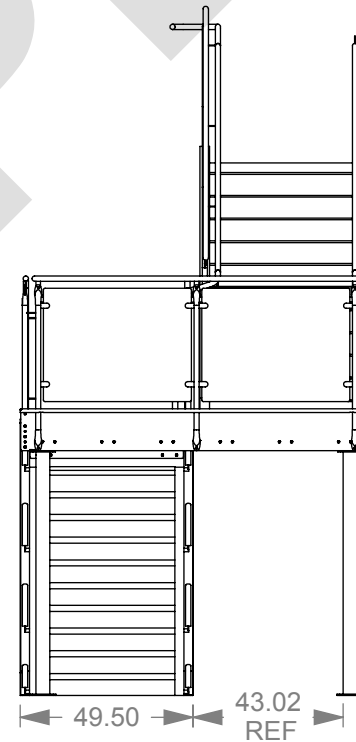
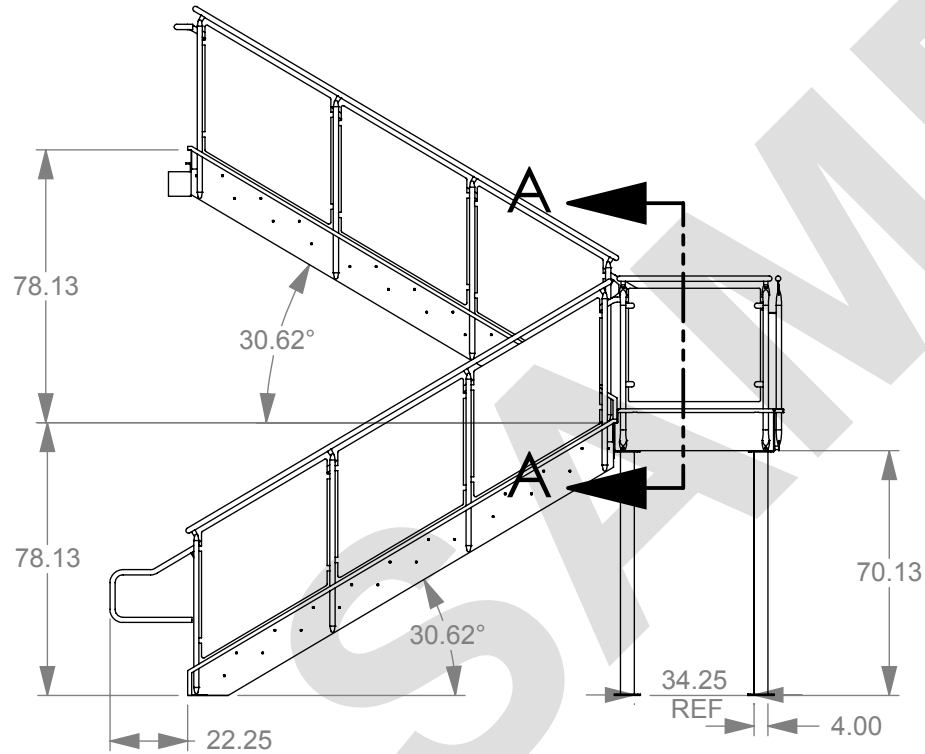


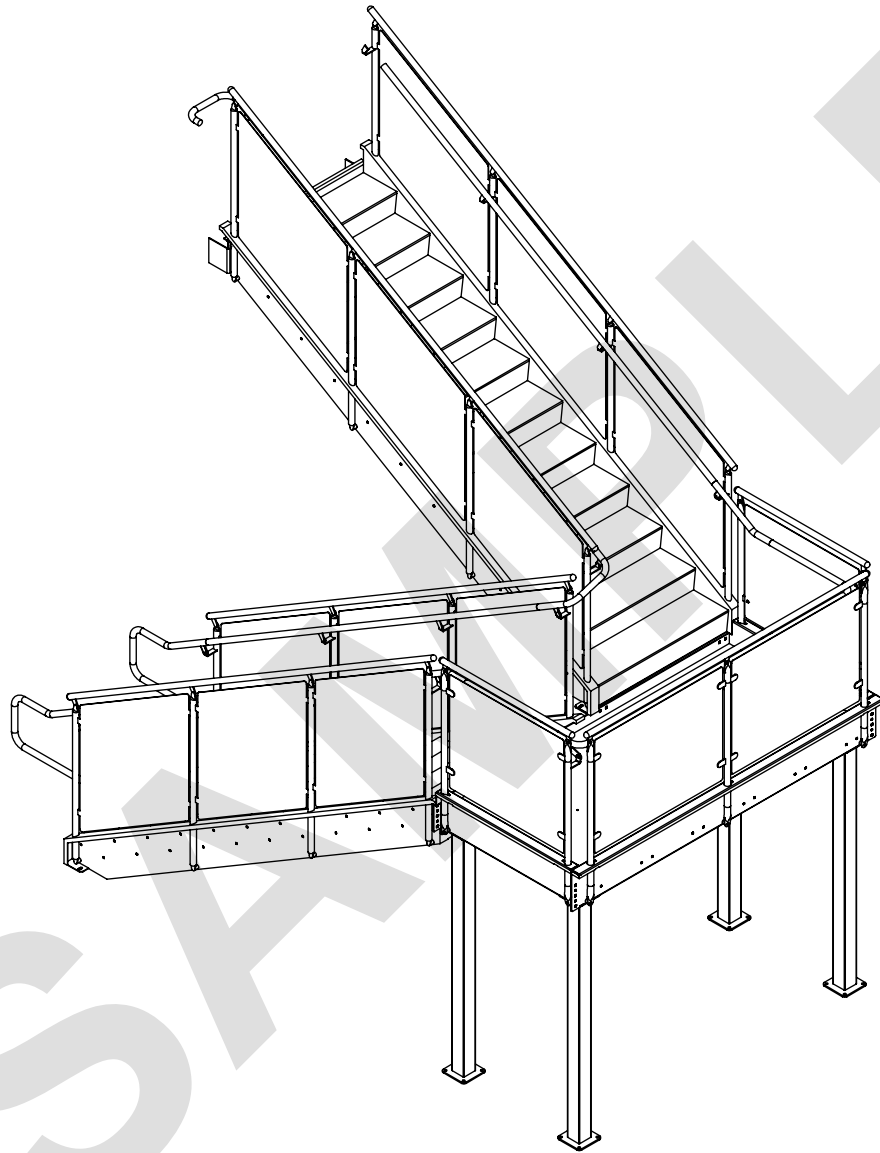
Unit Anchorage:
 All anchors need to be capable of handling
 2400lbs of tension (pull out force) and
 500lbs of shear force.



SECTION A-A
 SCALE 1 : 55

Lapeyre Stair, Inc. P.O. BOX 50699, NEW ORLEANS, LA 70150
 (800) 535-7631, Fax: (504) 733-4393

REQUEST #1695



Lapeyre Stair, Inc. P.O. BOX 50699, NEW ORLEANS, LA 70150
(800) 535-7631, Fax: (504) 733-4393

REQUEST #1695