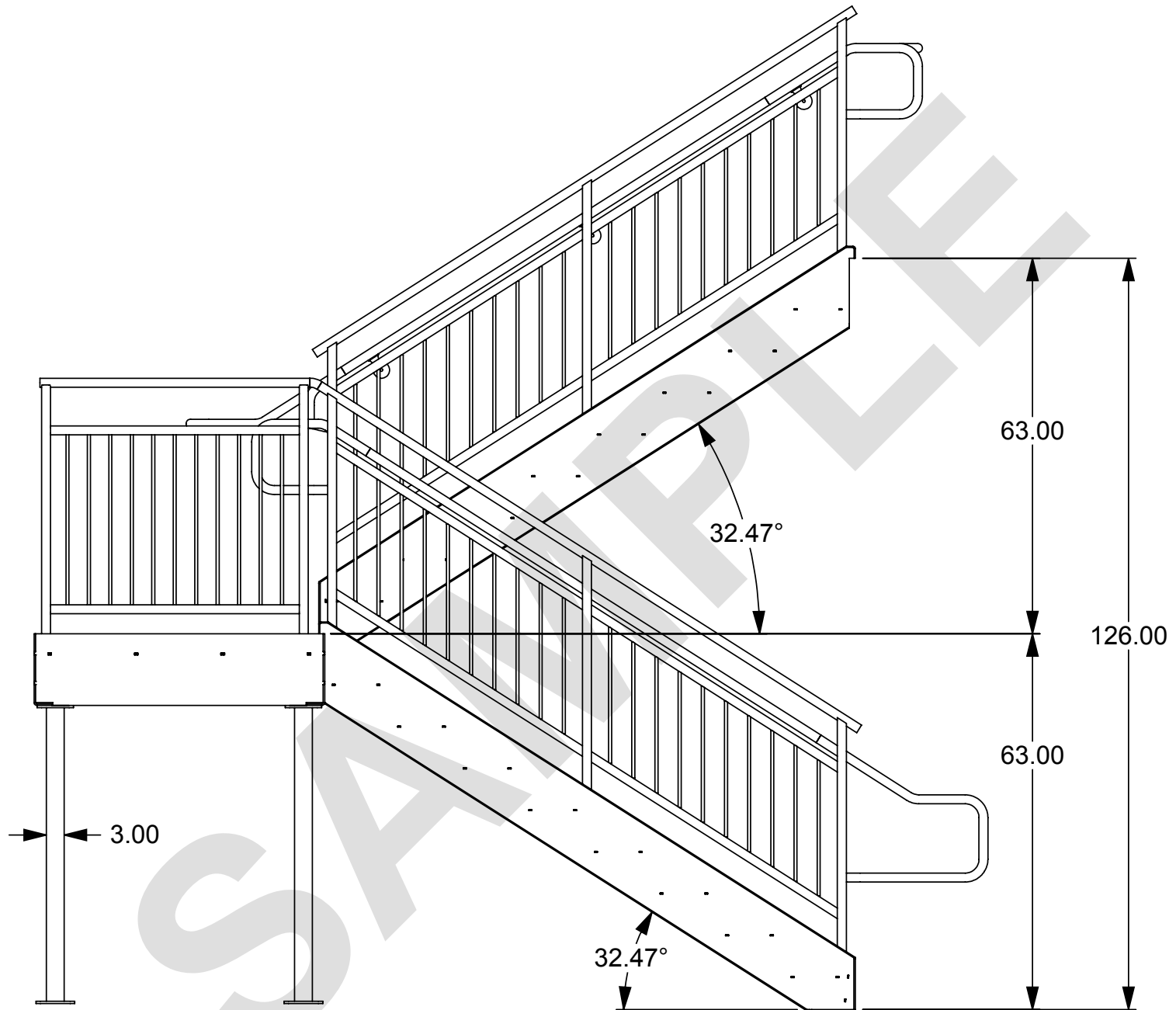
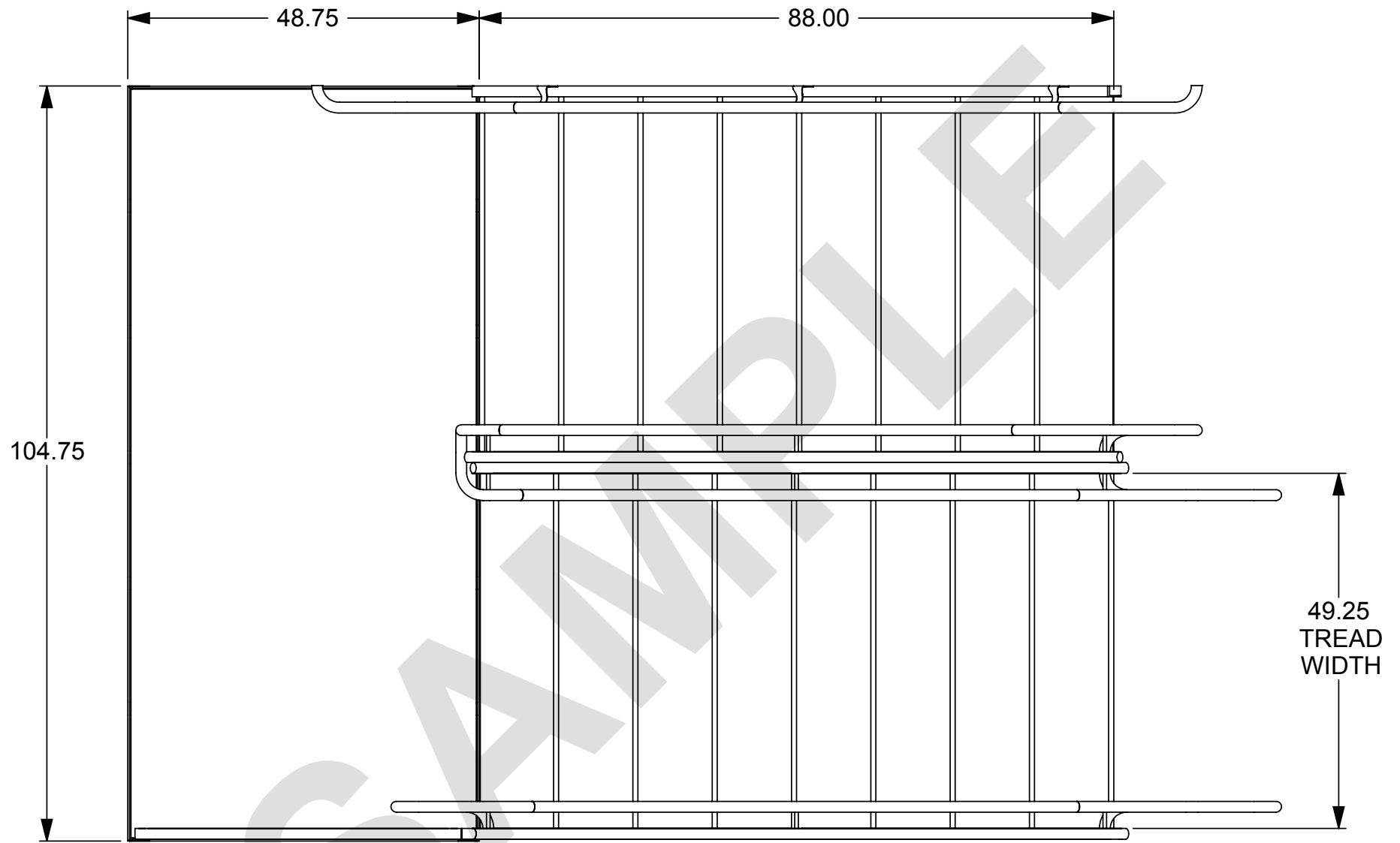


Unit Anchorage:  
All anchors need to be capable of handling  
2400lbs of tension (pull out force) and  
500lbs of shear force.

	<b>Lapeyre Stair, Inc.</b> P.O. BOX 50699, NEW ORLEANS, LA 70150 (800) 535-7631, Fax: (504) 733-4393
REQUEST #	



	<b>Lapeyre Stair, Inc.</b> P.O. BOX 50699, NEW ORLEANS, LA 70150 (800) 535-7631, Fax: (504) 733-4393
REQUEST #	



	<b>Lapeyre Stair, Inc.</b> P.O. BOX 50699, NEW ORLEANS, LA 70150 (800) 535-7631, Fax: (504) 733-4393
REQUEST #	