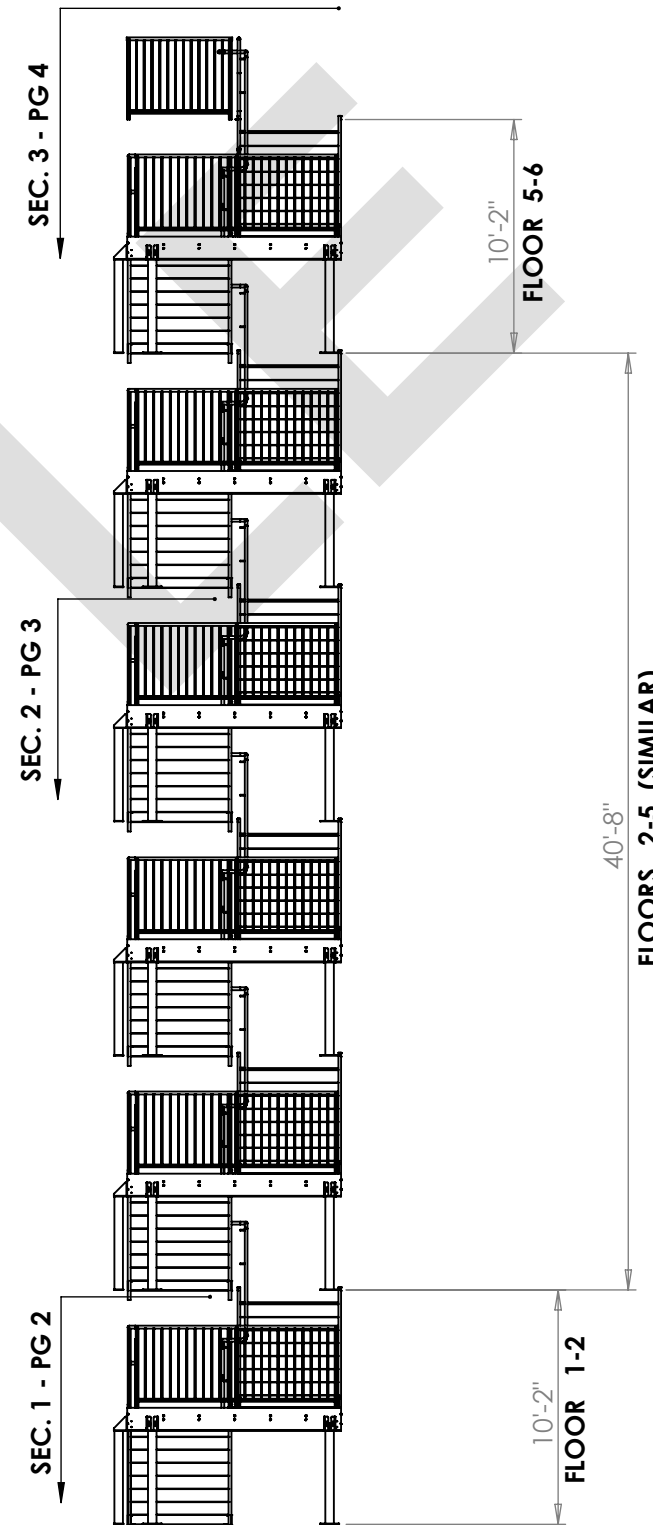
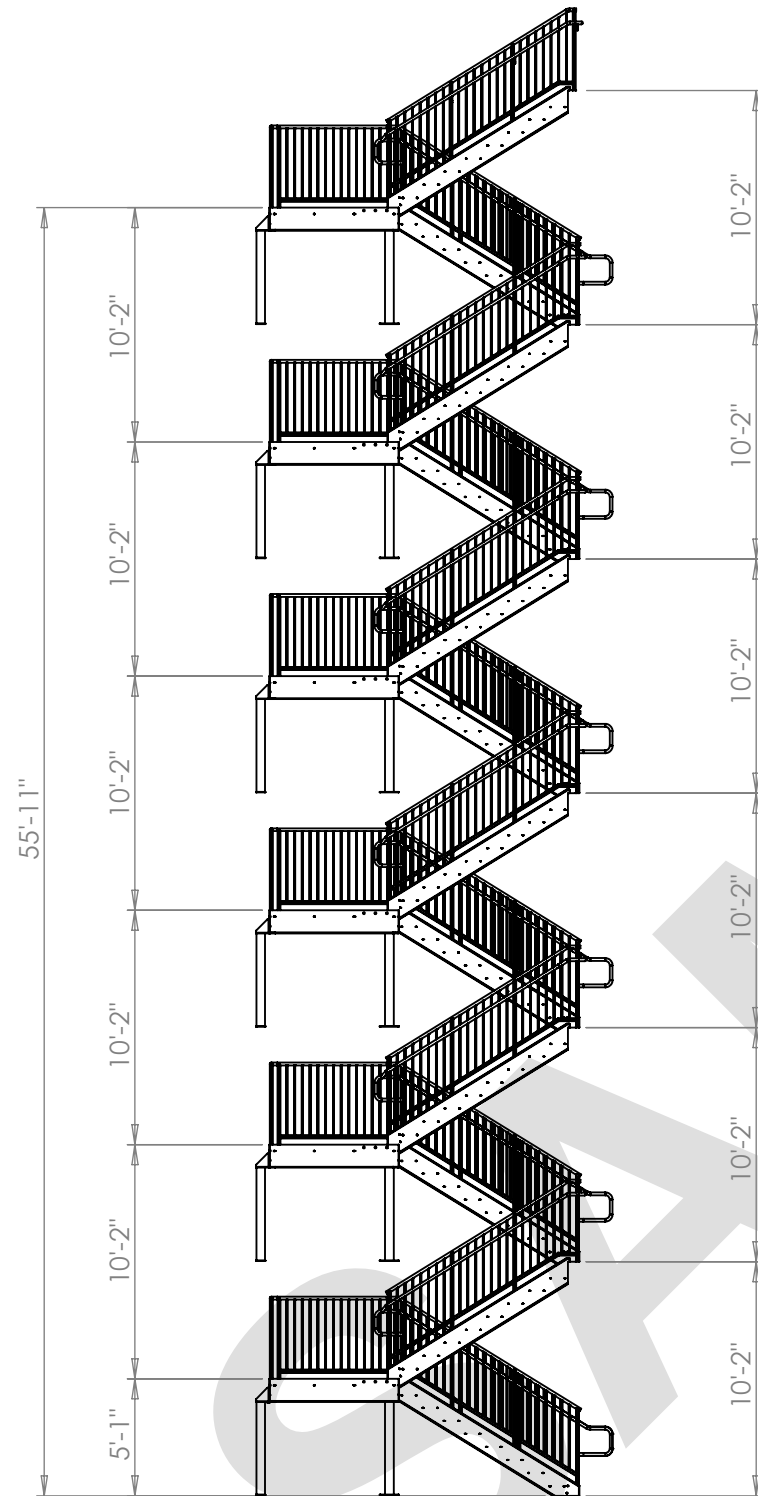


THIS DRAWING IS CONFIDENTIAL AND PROPRIETARY INFORMATION OF LAPEYRE STAIR, INC. IT MAY NOT BE COPIED OR DISCLOSED TO THIRD PARTIES WITHOUT THE WRITTEN AUTHORIZATION OF LAPEYRE STAIR.

REVISIONS			
REV.	DESCRIPTION	DATE	DRAWN



STAIR # 1 FLOORS 1 - 6

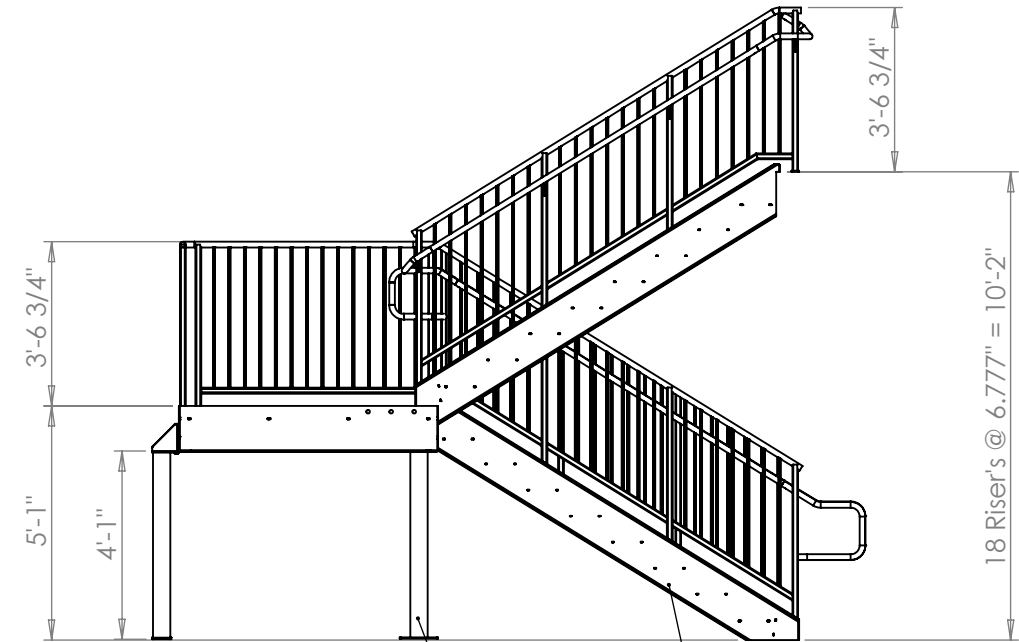
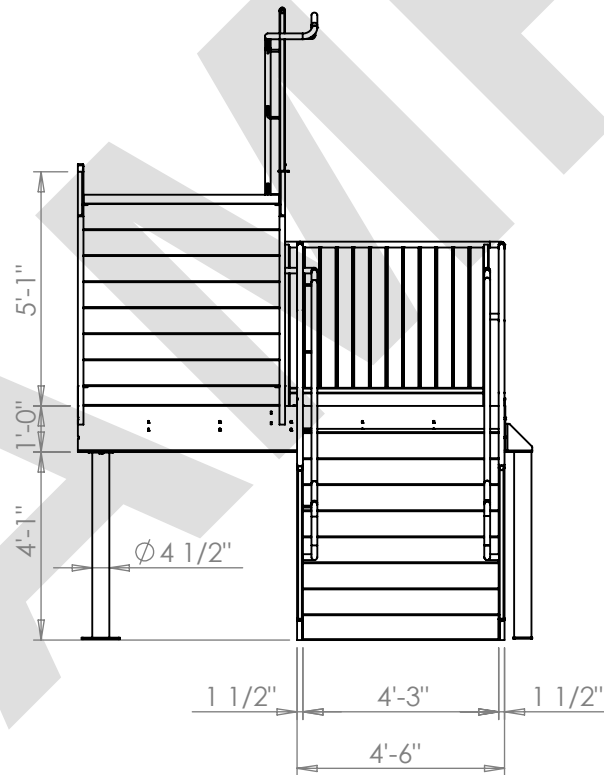
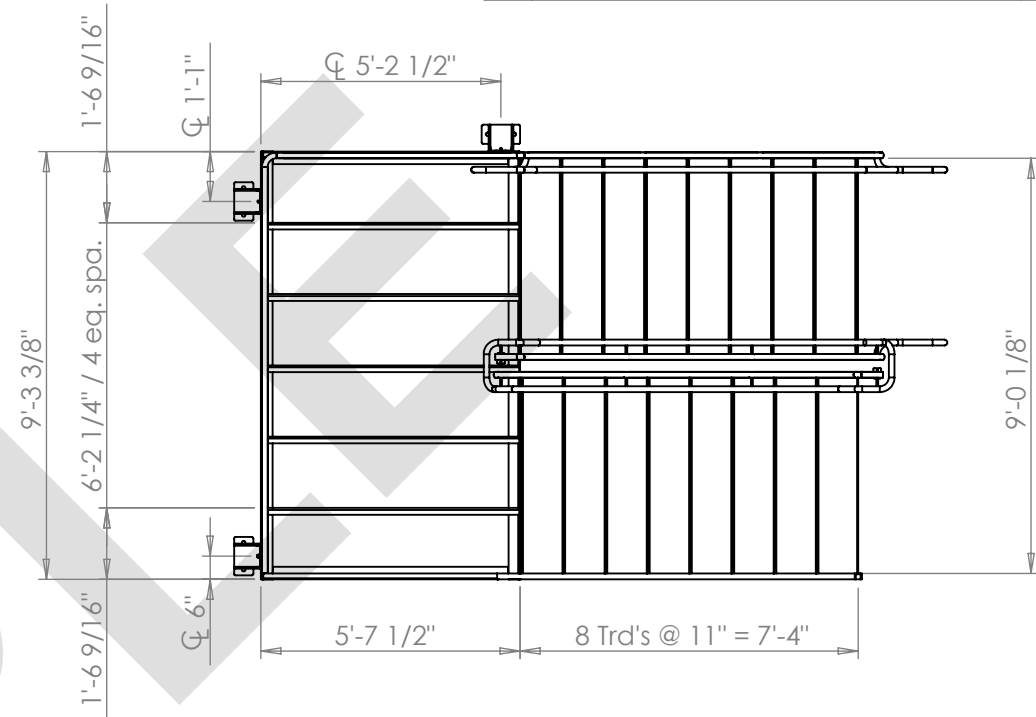
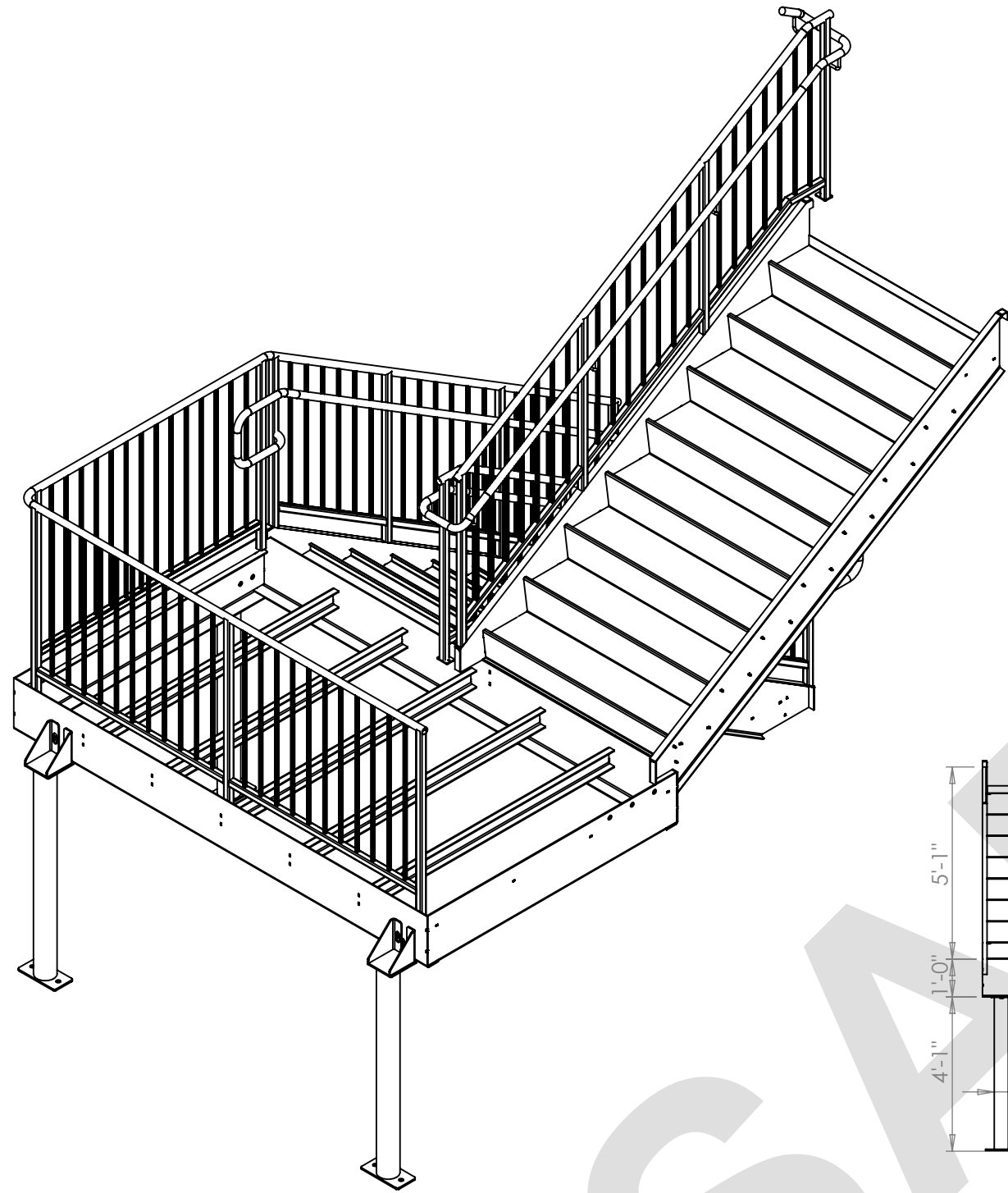
UNLESS OTHERWISE SPECIFIED DIMENSIONS ARE IN INCHES TOLERANCES ARE:

FRACTIONS: ± 1/8 DECIMALS: .XX ± .016 ANGLES: ± 1°
 .XXX ± .005

DRAWN: J Cleavenger	DATE: 5/11/09	DESCRIPTION:	Lapeyre Stair, Inc. A SUBSIDIARY OF THE LAITRAM CORP. 5117 Toler Street Harahan, LA 70123 (800) 535-7631 Fax: (504) 733-4393
CHECK: *	DATE: 0/00/00		
DWG. #: Stair 1	SCALE: None	SHEET: 1 of 6	DO NOT SCALE THIS DRAWING
			REV. 0

THIS DRAWING IS CONFIDENTIAL AND PROPRIETARY INFORMATION OF LAPEYRE STAIR, INC. IT MAY NOT BE COPIED OR DISCLOSED TO THIRD PARTIES WITHOUT THE WRITTEN AUTHORIZATION OF LAPEYRE STAIR.

REVISIONS			
REV.	DESCRIPTION	DATE	DRAWN



SECTION 1
1st to 2nd Floor, Stair Section

MC12x10.6 Stringer (TYP.)

$\phi 4 1/2''$ STD. PIPE COL. (TYP.)
(Height Adjustable)

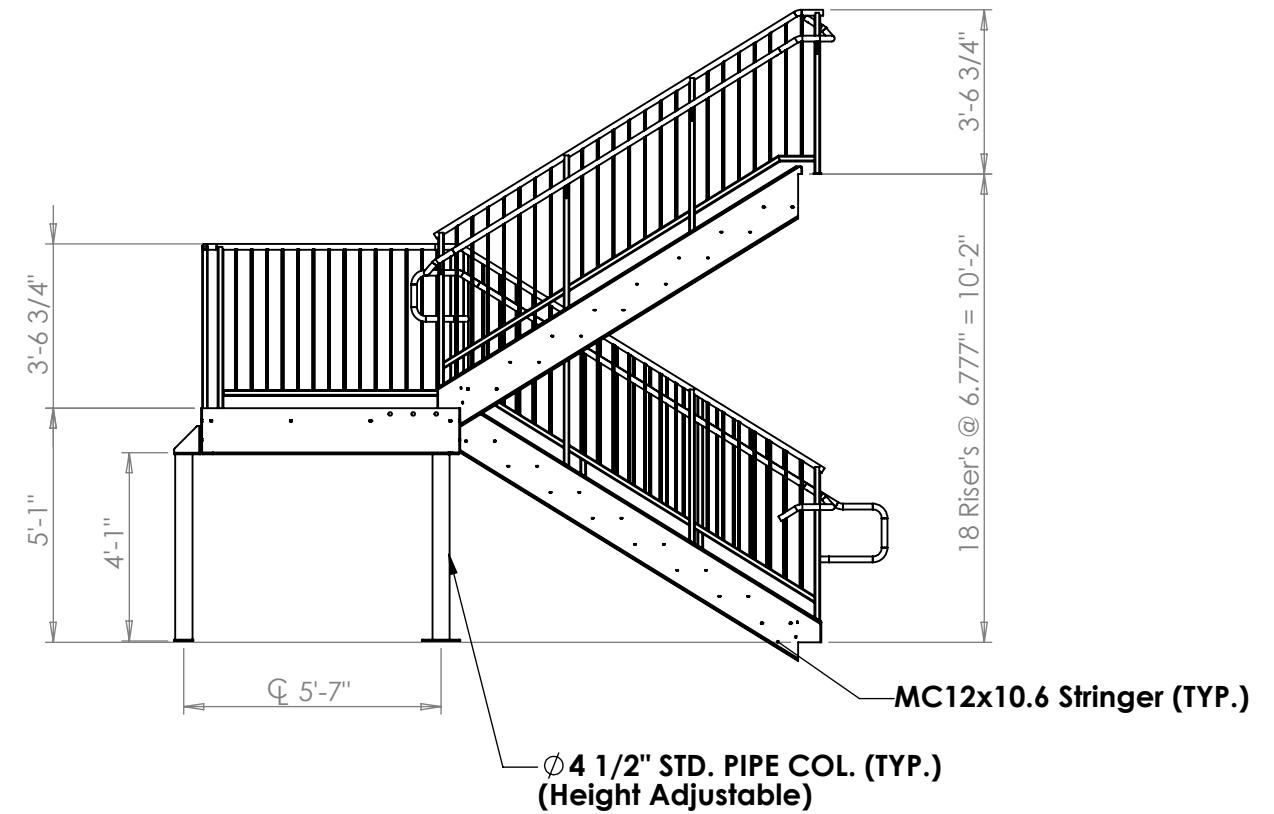
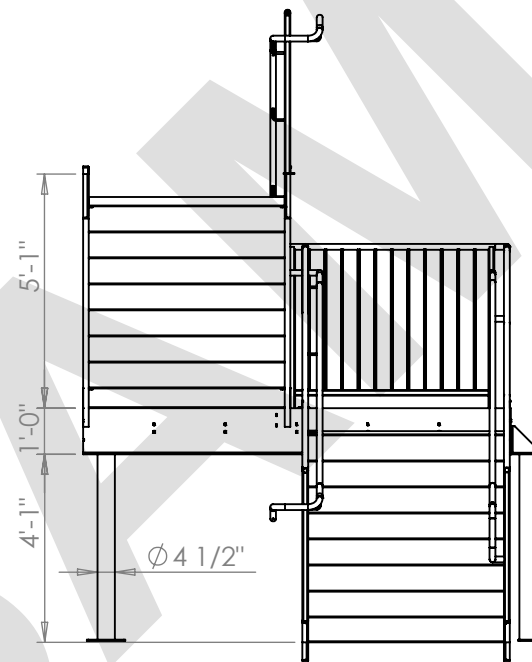
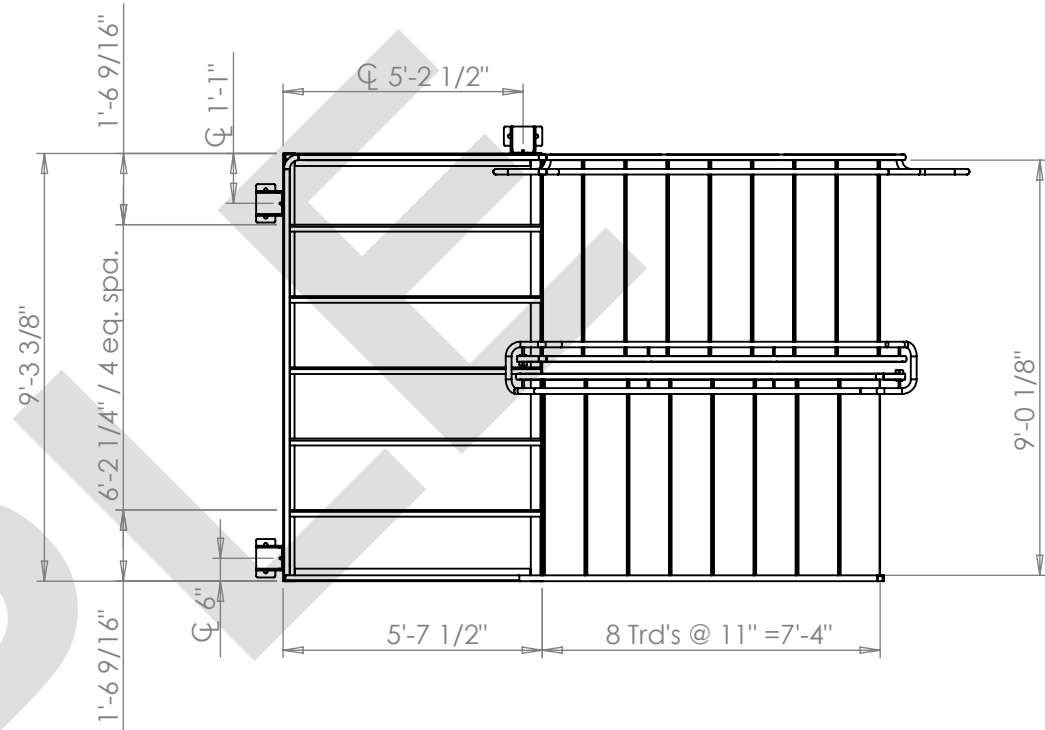
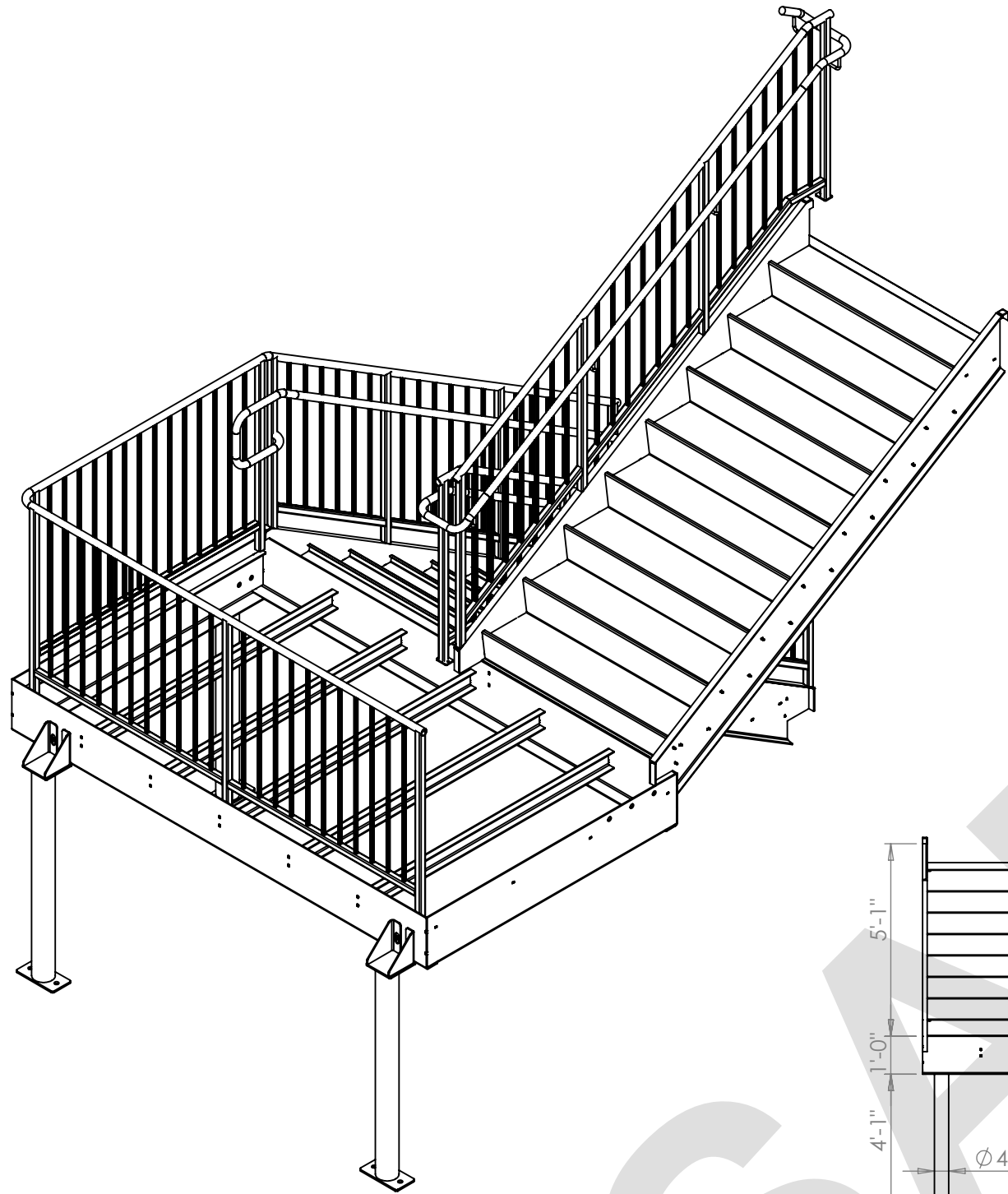
UNLESS OTHERWISE SPECIFIED
DIMENSIONS ARE IN INCHES
TOLERANCES ARE:

FRACTIONS: $\pm 1/8$ DECIMALS: .XX $\pm .016$ ANGLES: $\pm 1^\circ$
.XXX $\pm .005$

DRAWN: J Cleavenger	DATE: 5/11/09	DESCRIPTION:	Lapeyre Stair, Inc. A SUBSIDIARY OF THE LAITRAM CORP. 5117 Toler Street Harahan, LA 70123 (800) 535-7631 Fax: (504) 733-4393
CHECK: *	DATE: 0/00/00		
DWG. #: Stair 1	SCALE: None	SHEET: 2 of 6	DO NOT SCALE THIS DRAWING
			REV. 0

THIS DRAWING IS CONFIDENTIAL AND PROPRIETARY INFORMATION OF LAPEYRE STAIR, INC. IT MAY NOT BE COPIED OR DISCLOSED TO THIRD PARTIES WITHOUT THE WRITTEN AUTHORIZATION OF LAPEYRE STAIR.

REVISIONS			
REV.	DESCRIPTION	DATE	DRAWN



SECTION 2
2nd to 5th Floor, Stair Section

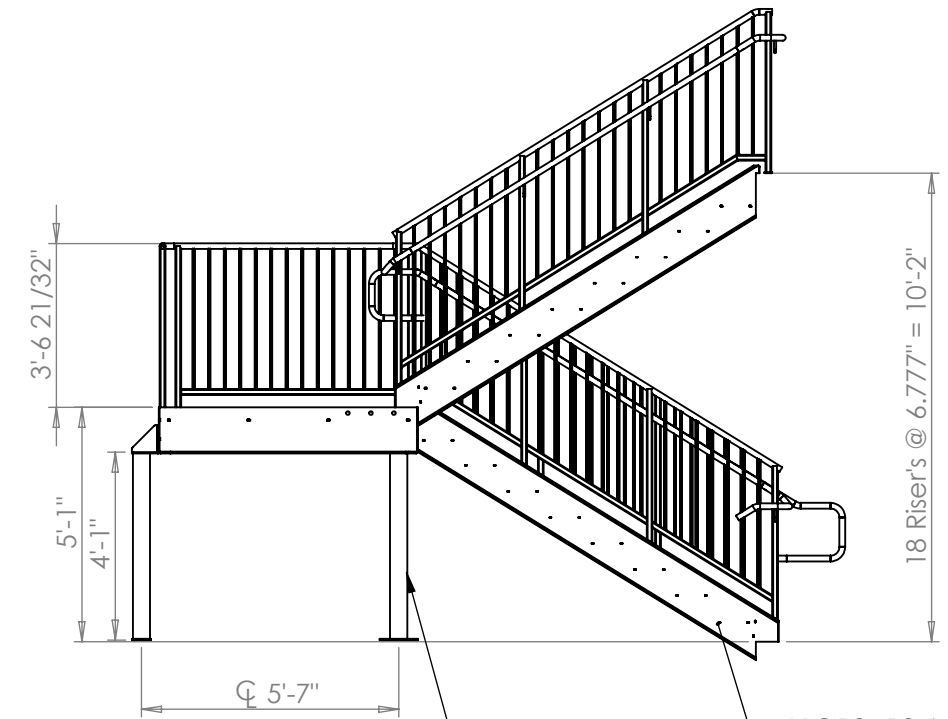
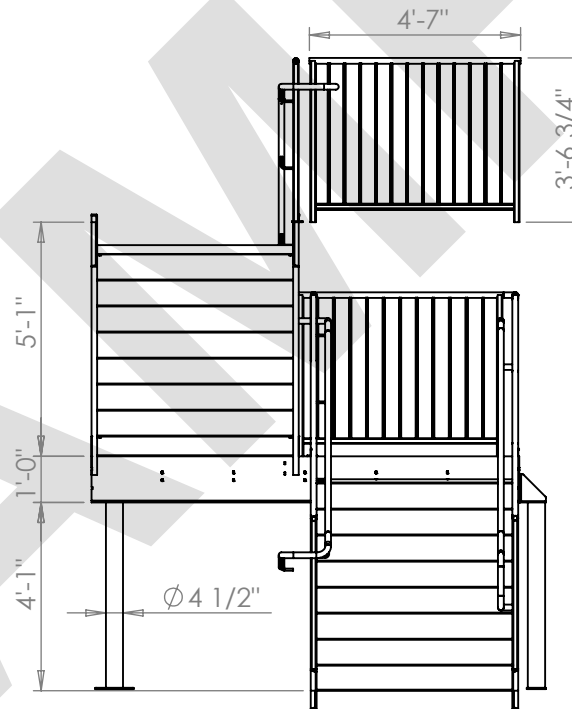
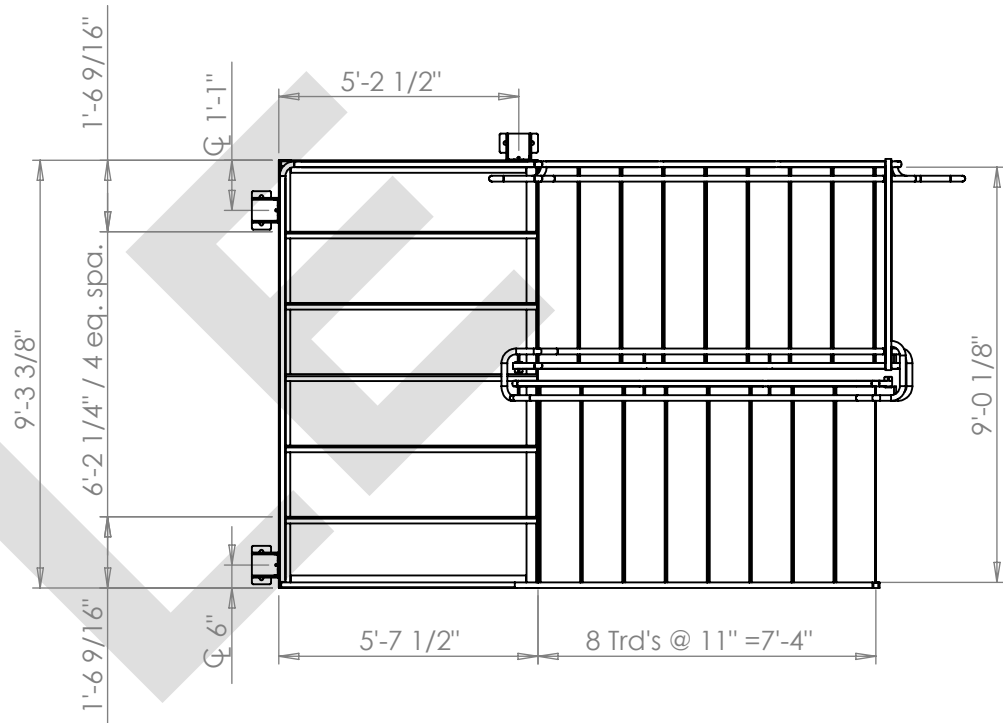
UNLESS OTHERWISE SPECIFIED DIMENSIONS ARE IN INCHES TOLERANCES ARE:

FRACTIONS: ± 1/8 DECIMALS: .XX ±.016 ANGLES: ± 1°
.XXX ±.005

DRAWN: J Cleavenger	DATE: 5/11/09	DESCRIPTION:	Lapeyre Stair, Inc. A SUBSIDIARY OF THE LAITRAM CORP. 5117 Toler Street Harahan, LA 70123 (800) 535-7631 Fax: (504) 733-4393
CHECK: *	DATE: 0/00/00		
DWG. #: Stair 1			SCALE: None SHEET: 3 of 6 DO NOT SCALE THIS DRAWING
			REV. 0

THIS DRAWING IS CONFIDENTIAL AND PROPRIETARY INFORMATION OF LAPEYRE STAIR, INC. IT MAY NOT BE COPIED OR DISCLOSED TO THIRD PARTIES WITHOUT THE WRITTEN AUTHORIZATION OF LAPEYRE STAIR.

REVISIONS			
REV.	DESCRIPTION	DATE	DRAWN



MC12x10.6 Stringer (TYP.)

Ø 4 1/2" STD. PIPE COL. (TYP.)
(Height Adjustable)

SECTION 3

5th to 6th Floor, Stair Section

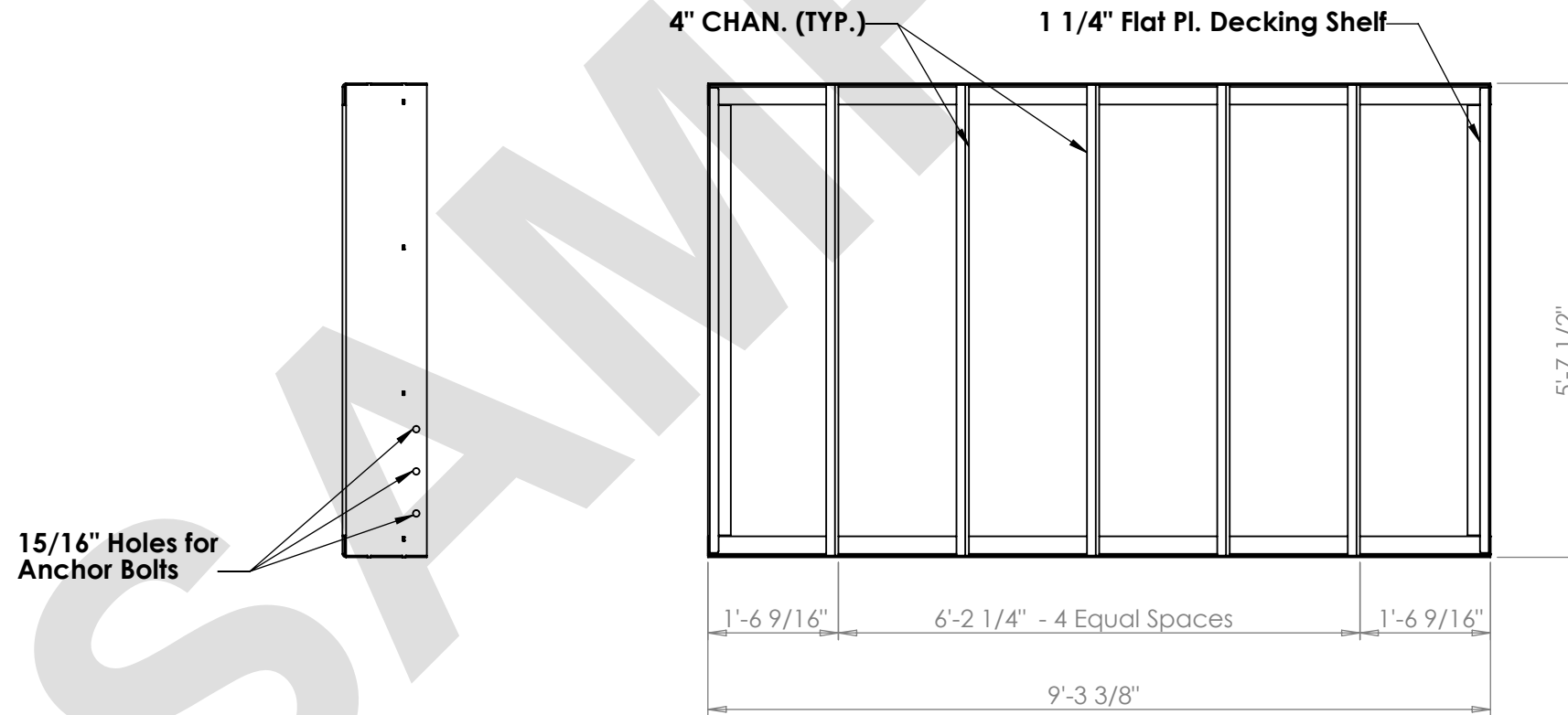
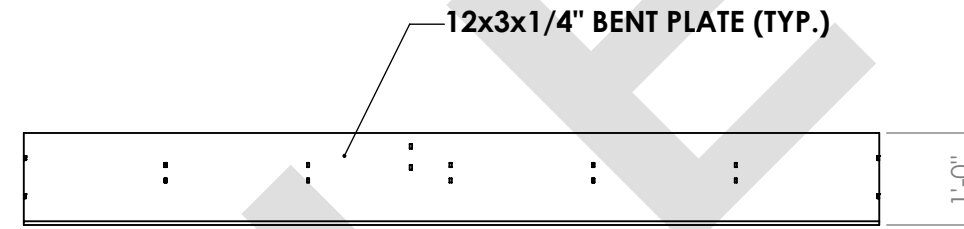
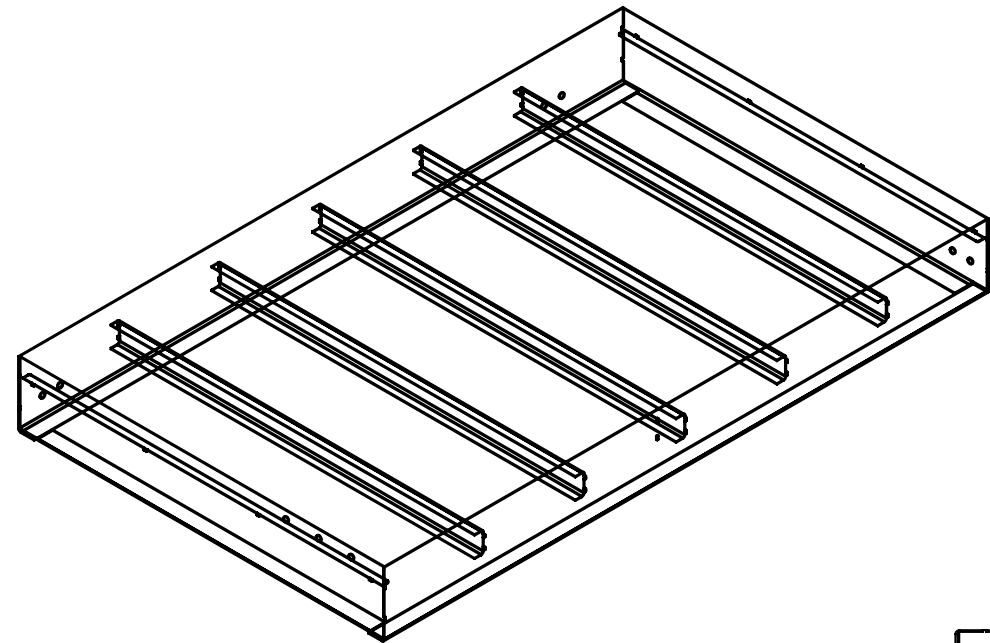
UNLESS OTHERWISE SPECIFIED
DIMENSIONS ARE IN INCHES
TOLERANCES ARE:

FRACTIONS: ± 1/8 DECIMALS: .XX ± .016 ANGLES: ± 1°
.XXX ± .005

DRAWN: J Cleavenger	DATE: 5/11/09	DESCRIPTION:	Lapeyre Stair, Inc. A SUBSIDIARY OF THE LAITRAM CORP. 5117 Toler Street Harahan, LA 70123 (800) 535-7631 Fax: (504) 733-4393
CHECK: *	DATE: 0/00/00		
DWG. #: Stair 1		SCALE: None	SHEET: 4 of 6
		DO NOT SCALE THIS DRAWING	
			REV. 0

THIS DRAWING IS CONFIDENTIAL AND PROPRIETARY INFORMATION OF LAPEYRE STAIR, INC. IT MAY NOT BE COPIED OR DISCLOSED TO THIRD PARTIES WITHOUT THE WRITTEN AUTHORIZATION OF LAPEYRE STAIR.

REVISIONS			
REV.	DESCRIPTION	DATE	DRAWN



TYPICAL PLATFORM DETAIL

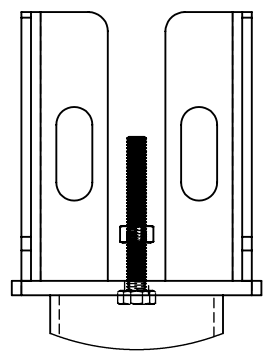
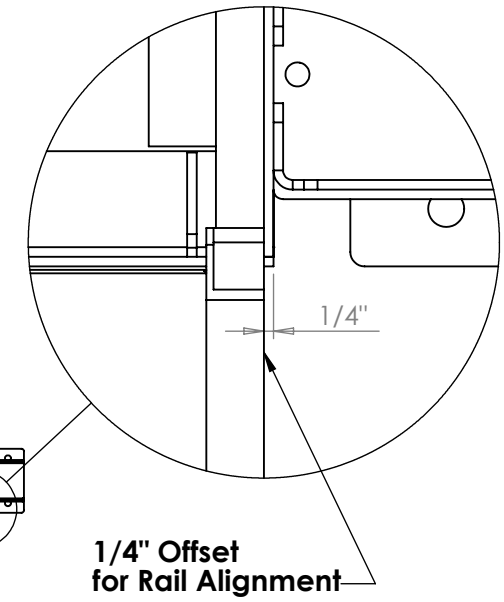
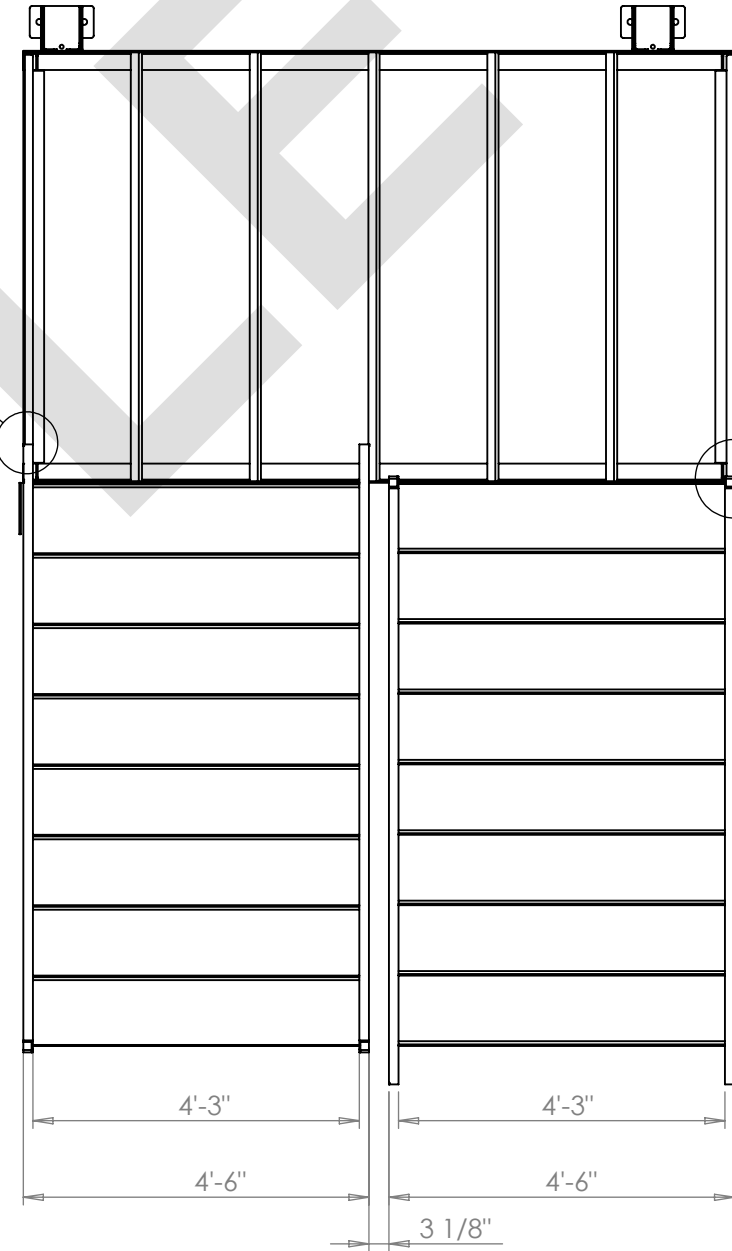
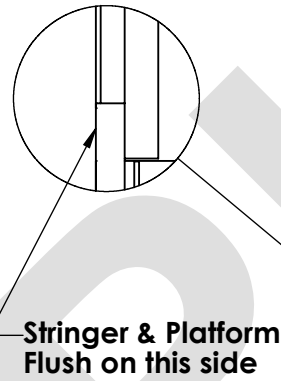
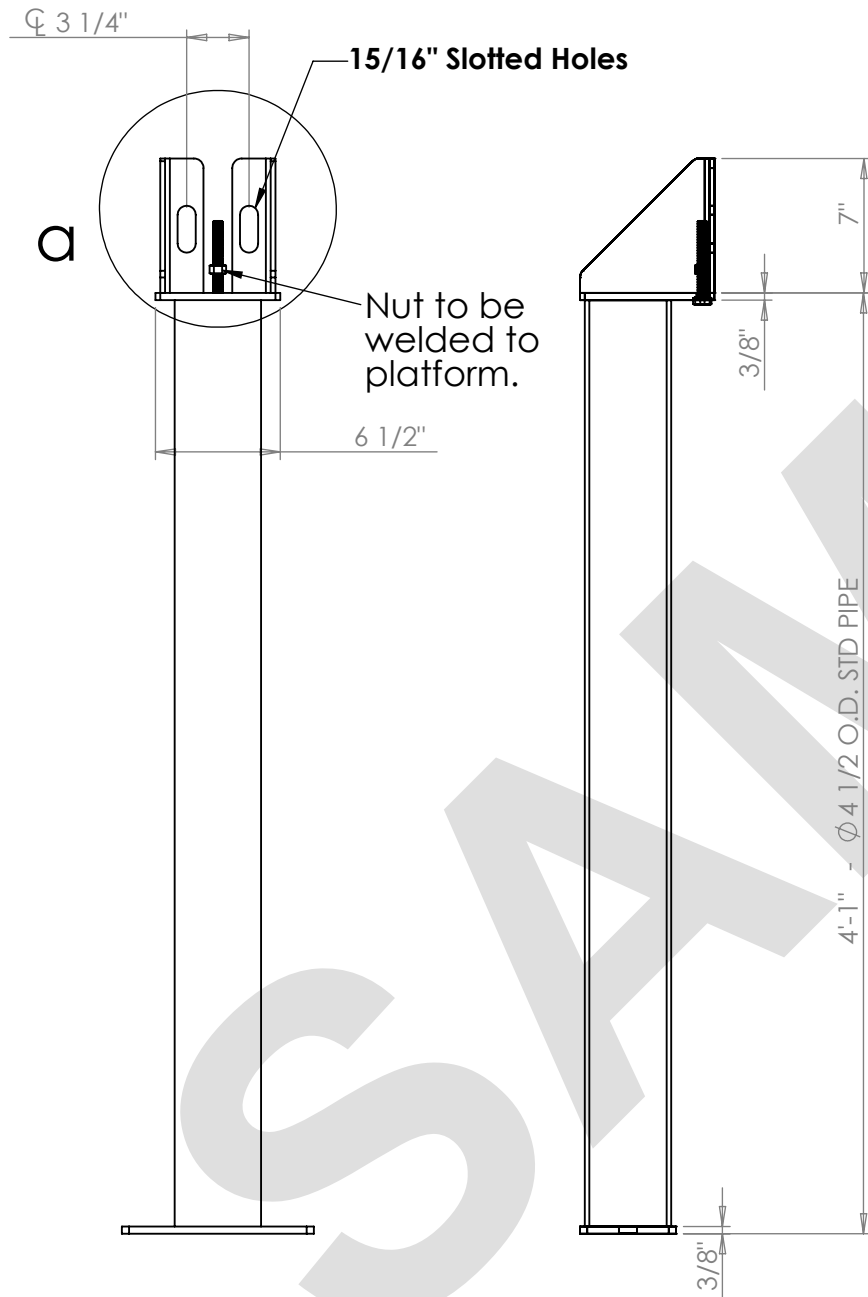
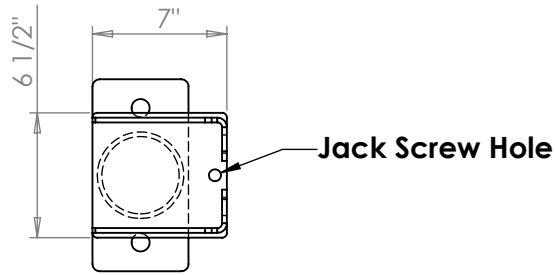
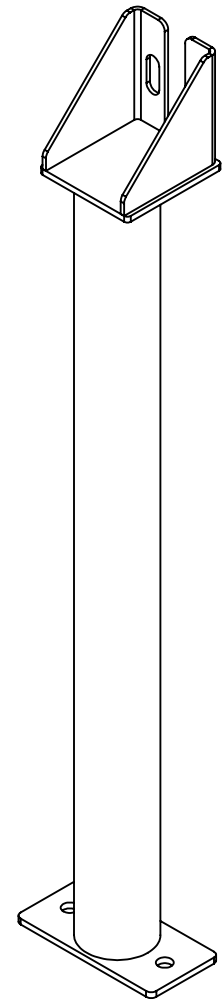
UNLESS OTHERWISE SPECIFIED DIMENSIONS ARE IN INCHES TOLERANCES ARE:

FRACTIONS: ± 1/8 DECIMALS: .XX ± .016 ANGLES: ± 1°
 .XXX ± .005

DRAWN: J Cleavenger	DATE: 5/11/09	DESCRIPTION:	Lapeyre Stair, Inc. A SUBSIDIARY OF THE LAITRAM CORP. 5117 Toler Street Harahan, LA 70123 (800) 535-7631 Fax: (504) 733-4393
CHECK: *	DATE: 0/00/00		
DWG. #: Stair 1			SCALE: None SHEET: 5 of 6 DO NOT SCALE THIS DRAWING
			REV. 0

THIS DRAWING IS CONFIDENTIAL AND PROPRIETARY INFORMATION OF LAPEYRE STAIR, INC. IT MAY NOT BE COPIED OR DISCLOSED TO THIRD PARTIES WITHOUT THE WRITTEN AUTHORIZATION OF LAPEYRE STAIR.

REVISIONS			
REV.	DESCRIPTION	DATE	DRAWN



Det. -a - 1/2" Jack Screw-1/2" Nut Welded to Platform

UNLESS OTHERWISE SPECIFIED DIMENSIONS ARE IN INCHES TOLERANCES ARE:

FRACTIONS: ± 1/8 DECIMALS: .XX ±.016 ANGLES: ± 1°
 .XXX ±.005

DRAWN: J Cleavenger	DATE: 5/11/09	DESCRIPTION:	Lapeyre Stair, Inc. A SUBSIDIARY OF THE LAITRAM CORP. 5117 Toler Street Harahan, LA 70123 (800) 535-7631 Fax: (504) 733-4393
CHECK: *	DATE: 0/00/00		
DWG. #: Stair 1			SCALE: None SHEET: 6 of 6 DO NOT SCALE THIS DRAWING
			REV. 0