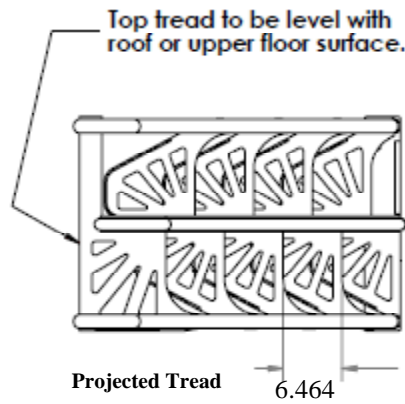


DO NOT SCALE!



Enlarged Section A-A



LAPEYRE STAIR, INC
 PO Box 50699
 New Orleans, LA 70123

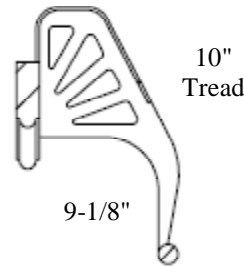
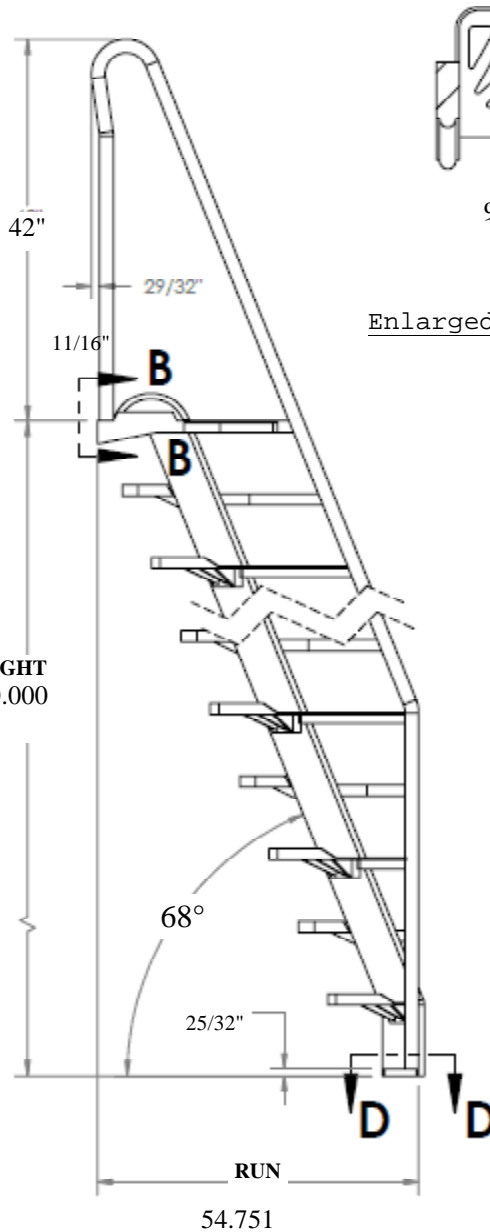
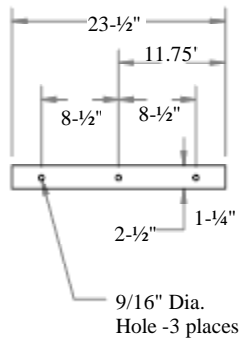
Toll Free (800) 535 7631
 Local Phone (504) 733 6009
 Fax: (504) 733 4393
 www.lapeyrestair.com

120.000 inch 68 Degree Aluminum,
 Natural with Standard Straight Handrail

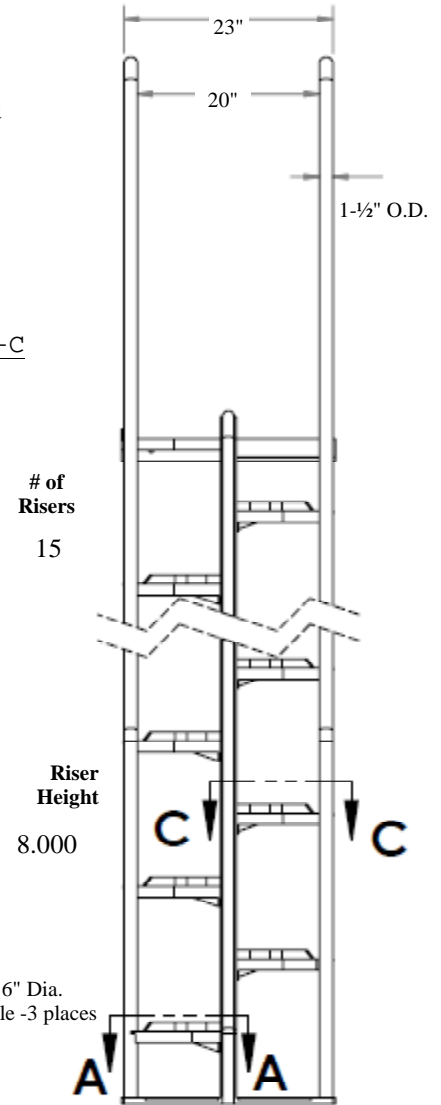
Quantity: 1

Shipping Weight:

139.000



Enlarged Section C-C



Enlarged Section D-D

For vertical heights in excess of 15', Lapeyre Stair recommends an intermediate platform with two stairs of equal heights.

Meets Federal OSHA Requirements

ATTN: SAMPLE PRINT
 COMPANY: SAMPLE PRINT
 ADDRESS: CALL FOR A CUSTOMIZED PRINT

RE:
 DATE: 10/15/2012
 ESTIMATED SHIPPING WEIGHT: 139.000
 QUOTE/ORDER #: SL-35972

