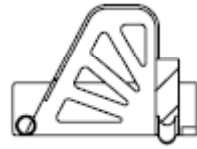


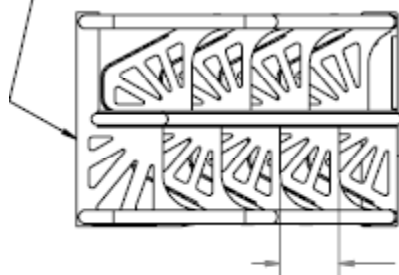
10"
Tread

9-1/8"



Enlarged Section A-A

Top tread to be level with
roof or upper floor surface



6.464 Projected Tread

**DO NOT
SCALE!**

LAPEYRE STAIR, INC
PO Box 50699
New Orleans, LA 70123

Toll Free (800) 535 7631
Local Phone (504) 733 6009
Fax: (504) 733 4393
www.lapeyrestair.com

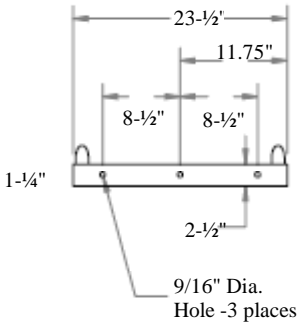
120.000 inch 68 Degree Aluminum,
Natural with Optional Straight Handrail

Enlarged Section C-C

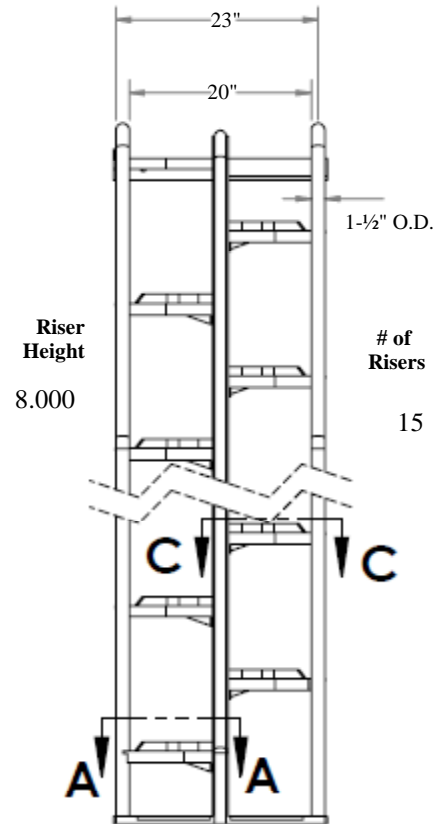
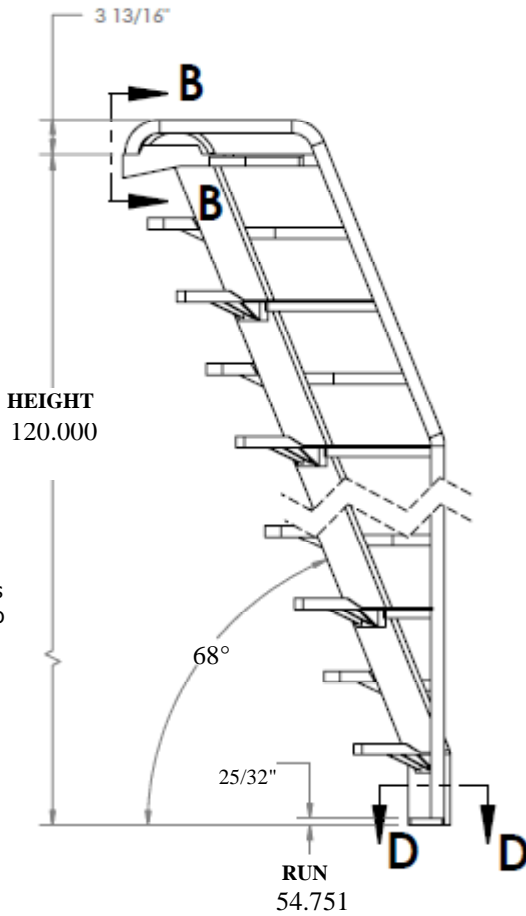
Quantity:1

Shipping Weight:139.000

**Meets Federal
OSHA Requirements**



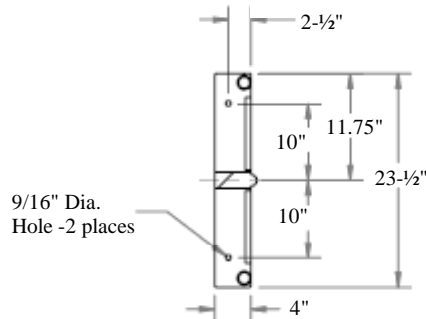
Enlarged Section B-B



For vertical heights in excess
of 15', Lapeyre Stair recommends
an intermediate platform with two
stairs of equal heights.

ATTN: SAMPLE PRINT
COMPANY: SAMPLE PRINT
ADDRESS: CALL FOR A CUSTOMIZED PRINT

RE:
DATE: 10/15/2012
ESTIMATED SHIPPING WEIGHT: 139.000
QUOTE/ORDER #: SL-35972



Enlarged Section D-D

