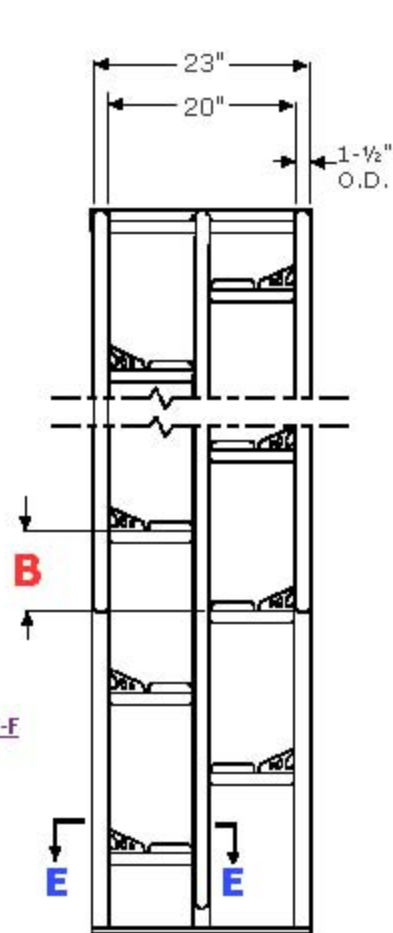
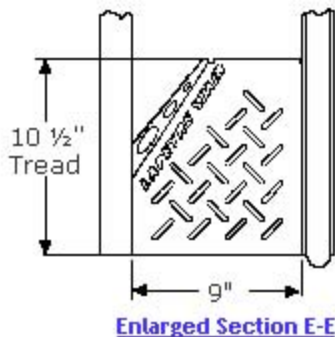
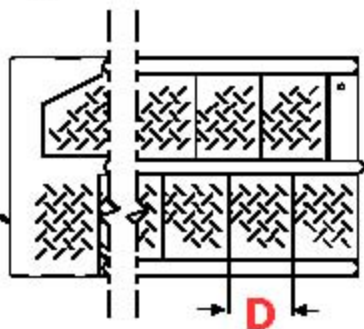
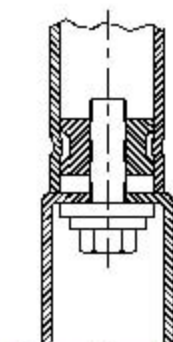
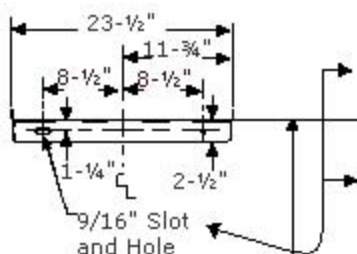


Top tread to be level with roof or upper floor surface

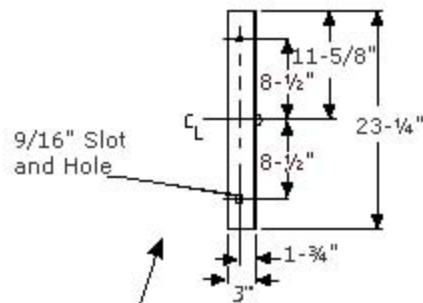
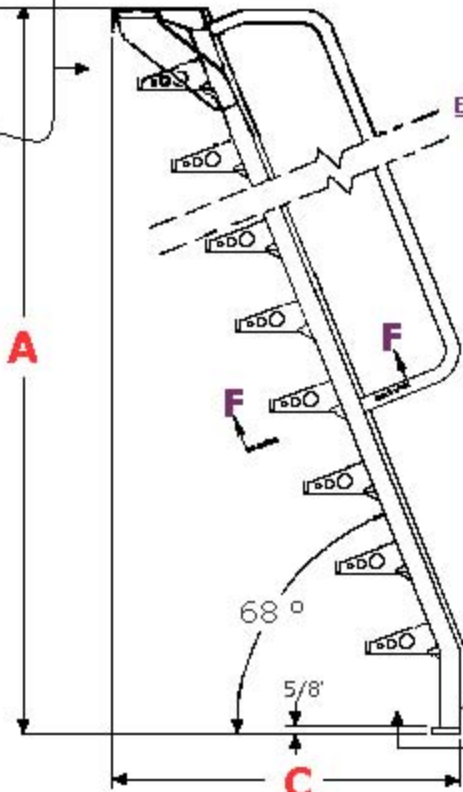


**DO NOT SCALE!**



To reduce vibration, stairs in excess of 15' may require customer supplied sway bracing.

For vertical heights in excess of 15', Lapeyre Stair recommends an intermediate platform with two stairs of equal heights.



**Meets Federal OSHA Requirements**